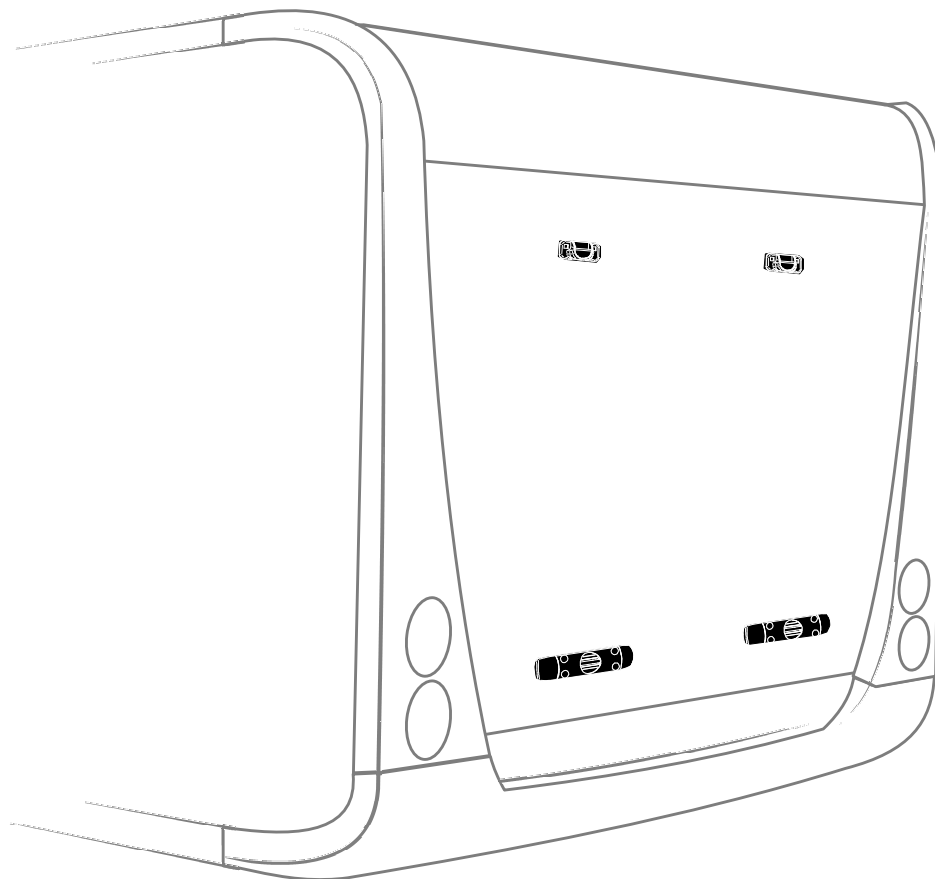
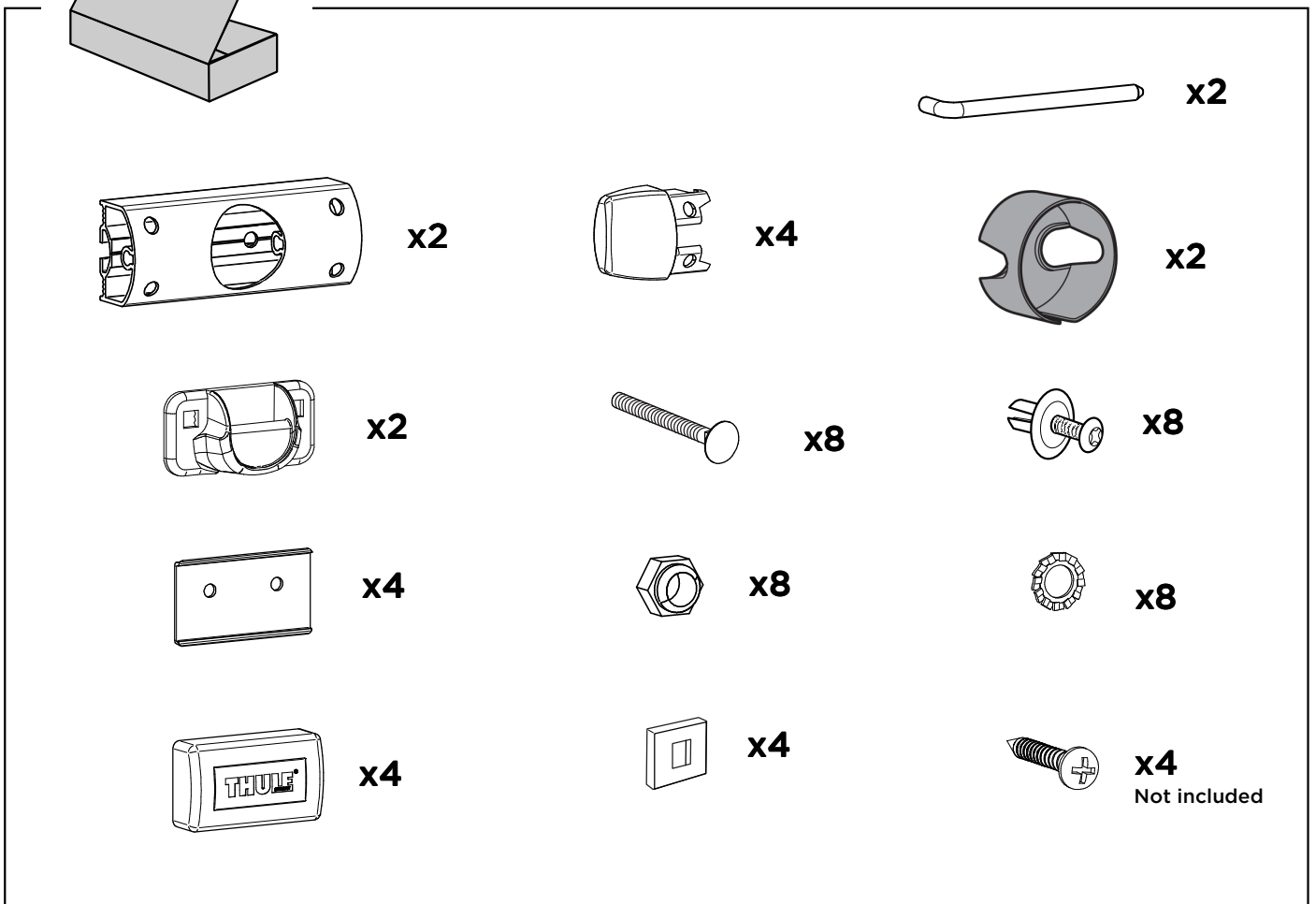
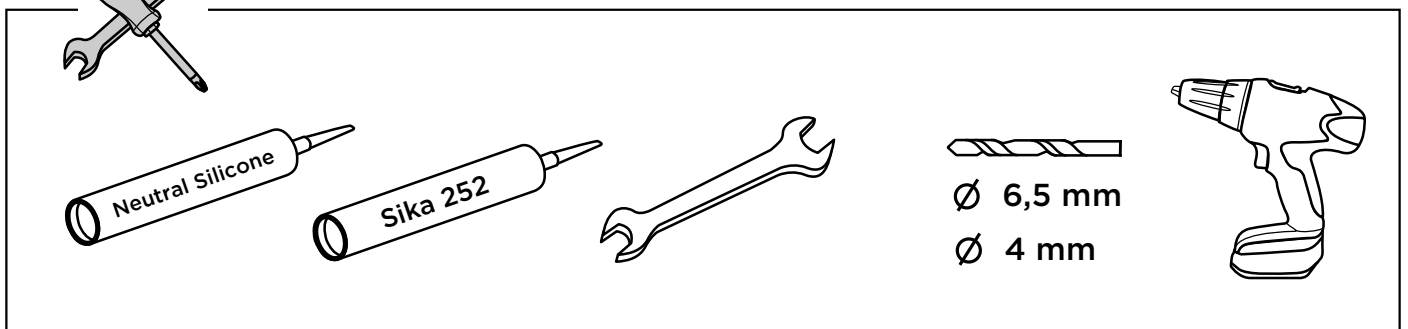
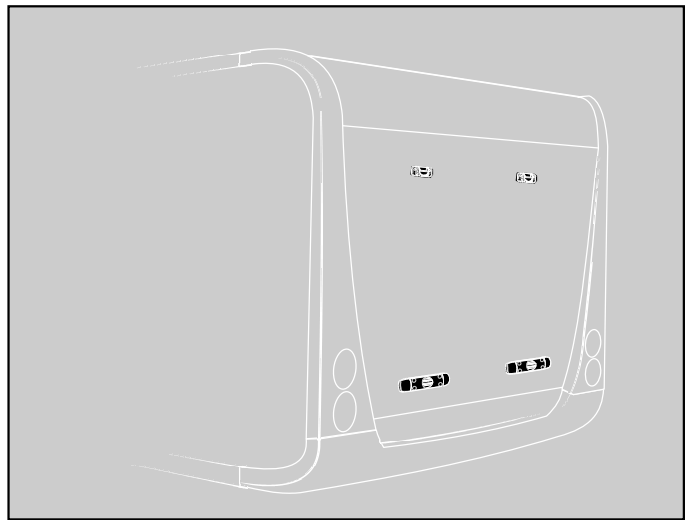
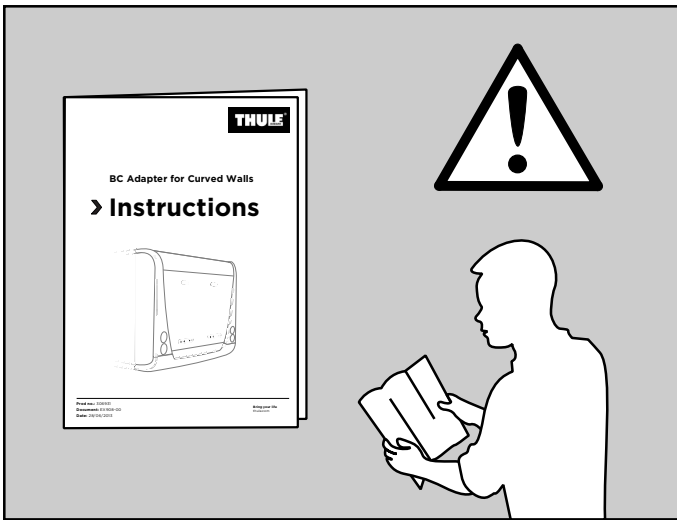


BC Adapter for Curved Walls

➤ Instructions

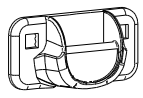




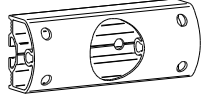
➔ For complete installation, see instructions Bike Carrier

1A

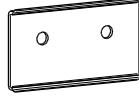
Counterplate mounting



x2



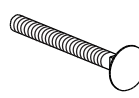
x2



x4



x4



x8



x8

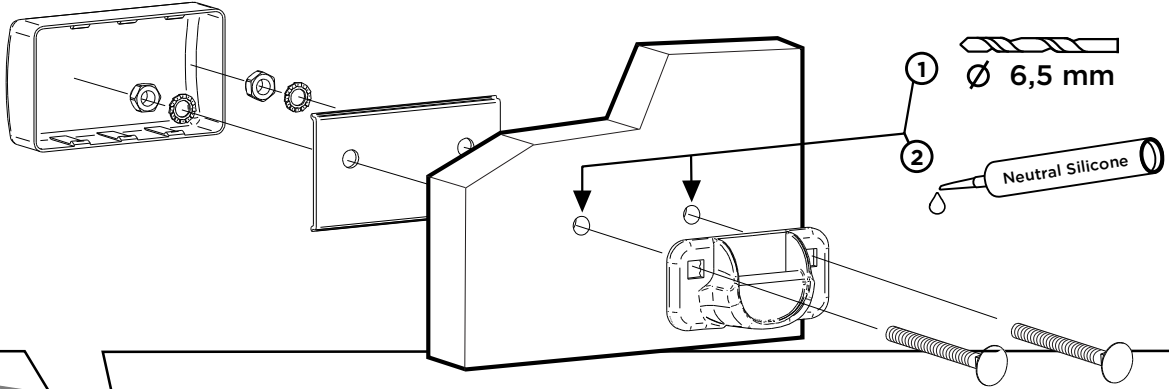


x8

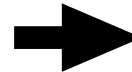


x4

1



600 mm

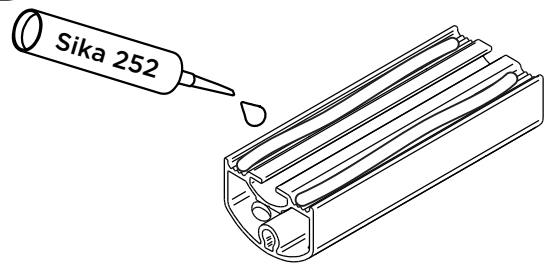


3.*

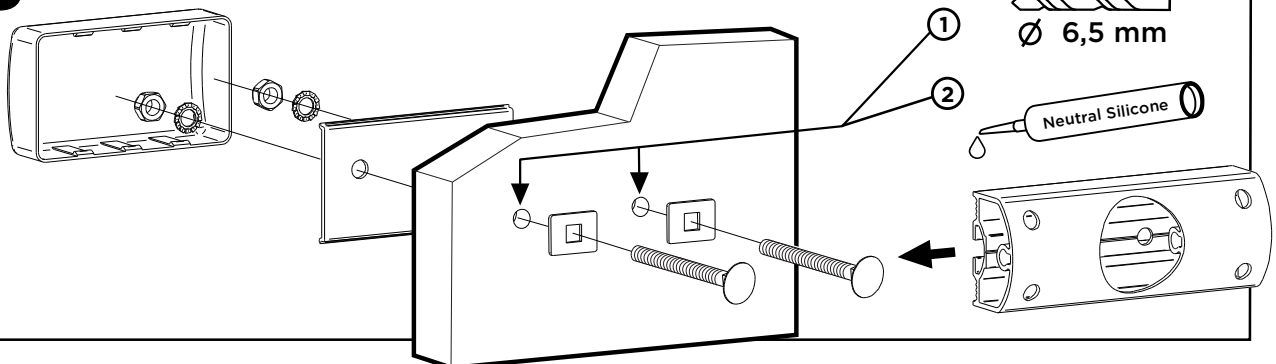


*See technical specifications in Bike carrier manual

2



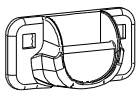
3



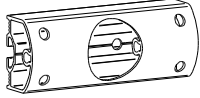
➔ For complete installation, see instructions Bike Carrier

1B

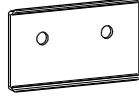
Blind mounting



x2



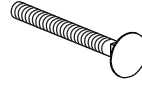
x2



x2



x2



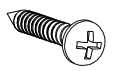
x4



x4



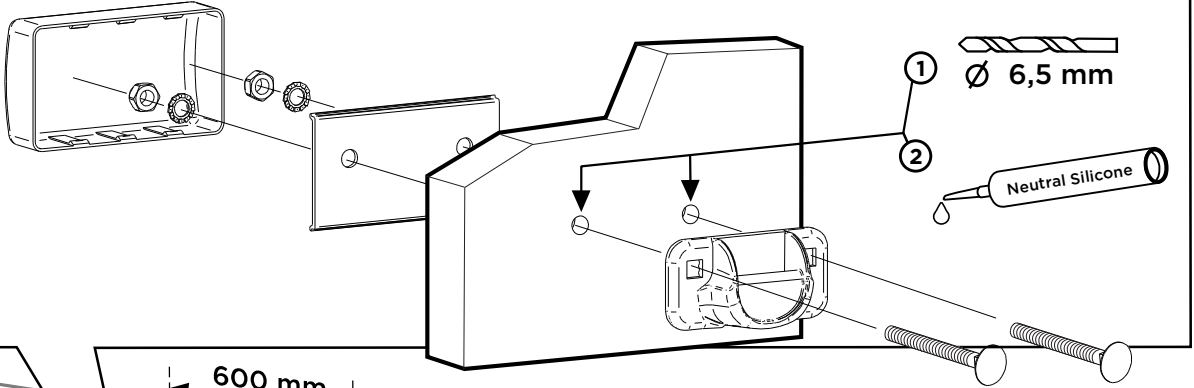
x4



x4

Not included

1



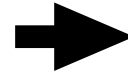
1 Ø 6,5 mm



600 mm

271 mm

1330 mm

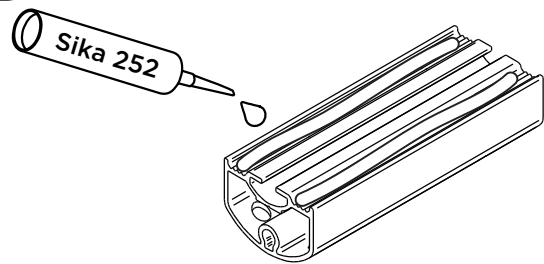


3.*

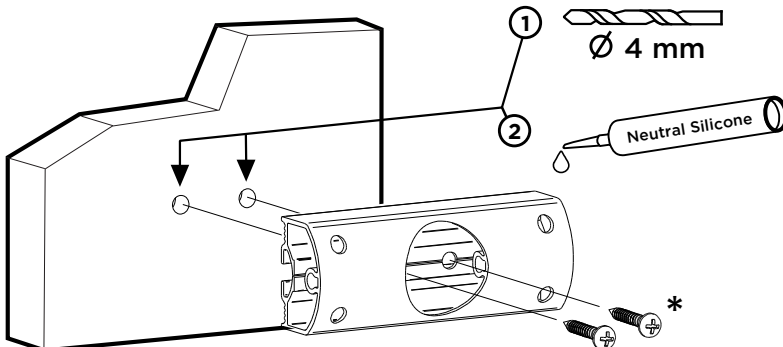
*See technical specifications in Bike carrier manual

** Recommended positions for : LMC COMFORT LINE (MODEL 2014)

2



3



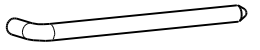
1 Ø 4 mm



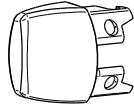
*Recommended:
DIN 7504 -4,8 mm x 32 mm

➔ For complete installation, see instructions Bike Carrier

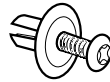
5



x2



x4



x8

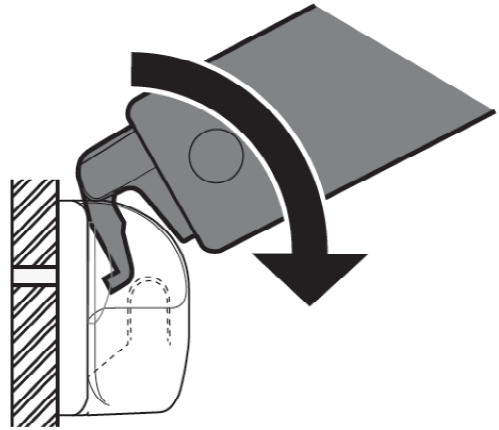


x2

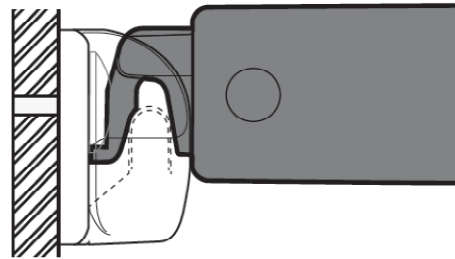


x2

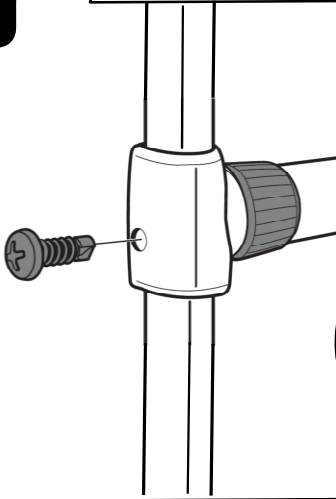
1



2



4



3

