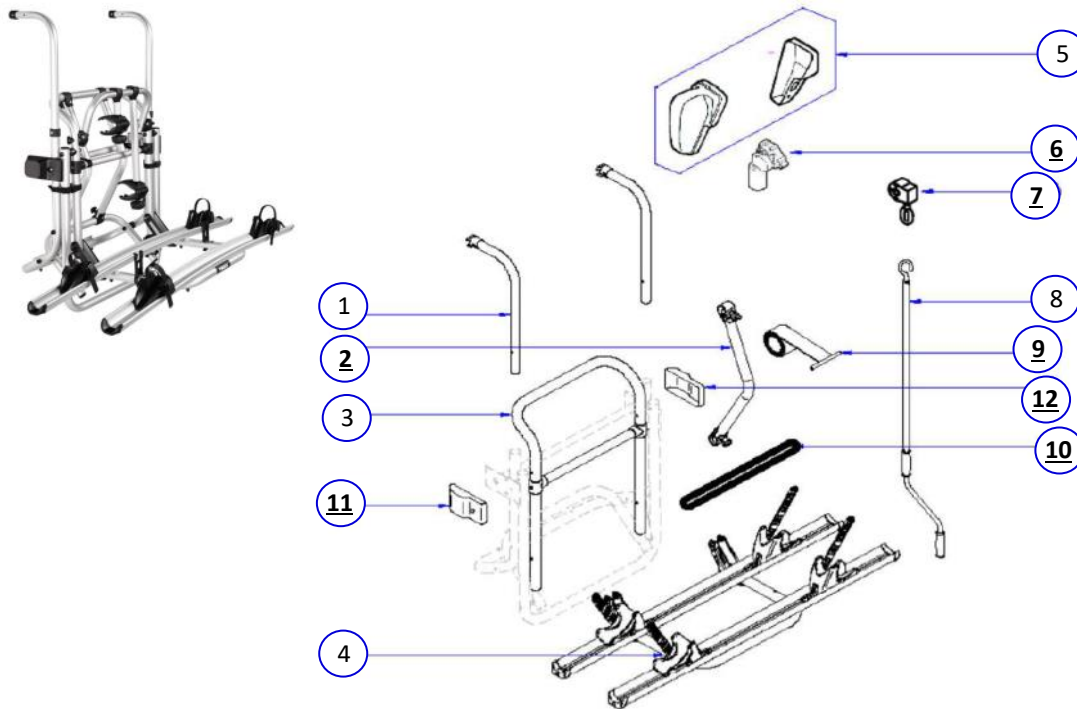


CLICK ON PART NUMBER TO VIEW PRODUCT



Thule Lift V16 Bike Rack - 12V Electric (RVP589)

No#	Vendor Code	Description	RV Supplies Item Code
1	1500602372	LIFT ARM (1x)	PLEASE ENQUIRE
2	1500602048	THULE LIFT V16 BIKE RACK TIE TUBE (1X)	<u>RVZ2302</u>
3	1500602108	LIFT SUPPORTING FRAME 481MM	PLEASE ENQUIRE
4	1500602373	LIFT PLATFORM COMPLETE	PLEASE ENQUIRE
5	1500600505	LIFT 12V MOTOR COVER - 2PCS	PLEASE ENQUIRE
6	1500600504	LIFT 12V MOTOR	<u>RVZ2313</u>
7	1500601972	LIFT MANUAL GEAR	<u>RVZ2311</u>
8	1500601973	LIFT MANUAL HAND CRANK	PLEASE ENQUIRE
9	1500600467	LIFT STRAP - 2PCS	<u>RVZ2306</u>
10	1500602000	LIFT RUBBER ELASTIC	<u>RVZ2307</u>
11	1500600506	LIFT SIDEPLATE COVER LH - MANUAL & 12V	<u>RVZ2308</u>
12	1500601746	LIFT SIDEPLATE COVER RH - MANUAL	<u>RVZ2308</u>