

KICKASS



ExtremeX 12V Soundbar

OWNER'S MANUAL

SOUNDBAR SPECIFICATIONS

Bluetooth Compliance: Bluetooth V5.2

Bluetooth Frequency Band: 2.402~2.480GHz ISM Spectrum

Bluetooth Range: Up to 20m

Tweeter (2x): 15 watts RMS

Woofer (2x): 40 watts RMS

Mid-Range Speaker (4x): 15 watts RMS

Audio Output Power: 300 watts peak

Input Voltage: 12V/10A (requires connection to external DC battery for power)

USB A output: 5V/1A

Waterproof: IP66

Product Dimensions: 700 x 114mm


IMPORTANT SAFETY INFORMATION



- The KickAss 12V Soundbar does not have an internal battery. It must be connected to an external 12V power supply to function.
- You must make sure the external power supply / battery pack terminal voltage is 12V. Connecting the soundbar to a non-12V power source will cause it to malfunction, and may damage the speaker.
- The KickAss 12V Soundbar has been tested to IP66 waterproofing standards, which means the speaker can be exposed to dust and water but should not be submerged underwater. The soundbar is NOT intended for constant use in wet conditions.
- Only use the mounting parts provided with the soundbar.



WARNING

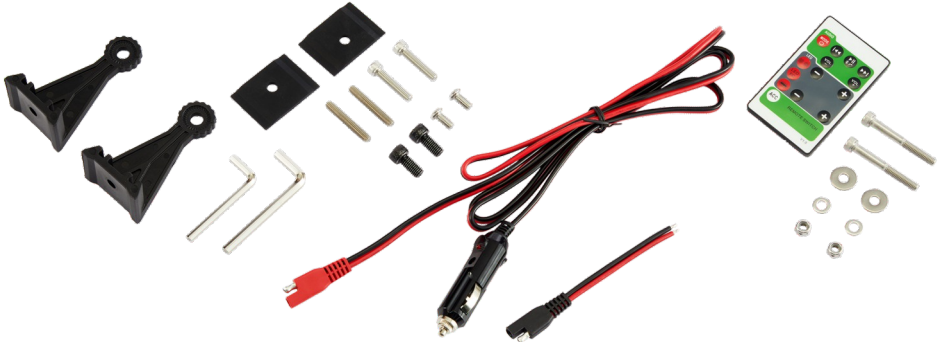
- Remote control includes a button battery.
- Keep the button battery out of reach of children. If swallowed, seek medical attention immediately.

 WARNING
THIS PRODUCT CONTAINS A BUTTON BATTERY If swallowed, a lithium button battery can cause severe or fatal injuries within 2 hours. Keep batteries out of reach of children. If you think batteries may have been swallowed or placed inside any part of the body, seek immediate medical attention.

 WARNING	
KEEP OUT OF REACH OF CHILDREN Swallowing can lead to chemical burns, perforation of soft tissues, and death. Severe burns can occur within 2 hours of ingestion. Seek medical attention immediately.	

INCLUDED COMPONENTS

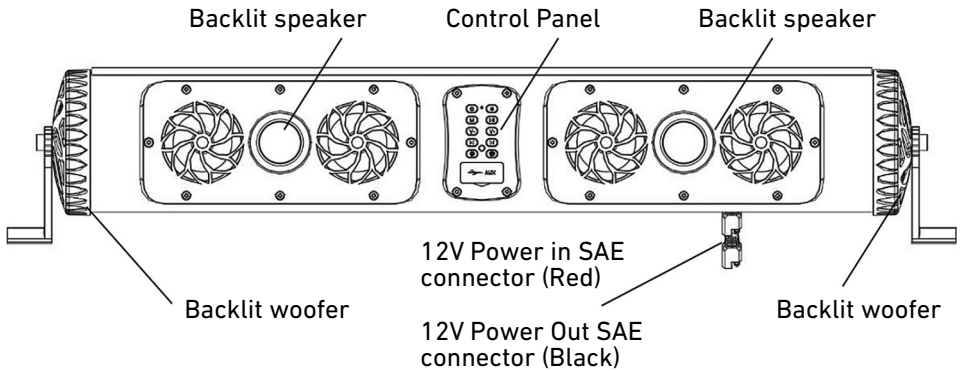
- | | |
|--------------------------------|---|
| KickAss ExtremeX 12V Soundbar | 2 x Studs 40mm |
| 2 x Rubber feet | 2 x Washer (small) |
| 2 x 180-degree rotation mounts | 2 x Washer (Large) |
| 2 x Allen keys | 1 x remote control |
| 2 x Socket Head Cap Screw 30mm | 2 x Nuts |
| 2 x Socket Head Cap Screw 16mm | 1 x SAE to wire tail cable |
| 2 x Socket Head Cap Screw 50mm | 1 x SAE to Cigarette socket power cable |
| 2 x Button Head bolts 13mm | |



WARNING: This cable is for power output only!

- Do NOT use it for power input.
- Only connect to power out accessories like camping lights.
- Improper use may cause damage or safety hazards.

UNDERSTANDING YOUR SOUNDBAR



POWERING YOUR SOUNDBAR

The KickAss 12V Soundbar does not have an internal battery. It must be connected to an external 12V power supply to function.

Follow these instructions to ensure a safe and effective connection between your SAE cable, car cigarette lighter socket, and the 12V external power supply:

Step 1: Locate the 12V Power In SAE Connector (Red).

Step 2: Connect the SAE Connector (marked in red) to the corresponding SAE Connector on the soundbar. Ensure that the connection is secure and properly aligned to avoid any damage or poor connection.

Step 3: Take hold of the car cigarette lighter plug end of the cable. This plug is designed to fit into the cigarette lighter socket of a car or an external 12V power supply.


Step 4: Plug the car cigarette lighter plug into the cigarette lighter socket of the external 12V power supply. Make sure the external power supply is turned off while making the connection to avoid any electrical issues.

Step 5: Once all connections are securely in place, turn on the external 12V power supply. Your soundbar should now be receiving power through the SAE to car cigarette lighter socket cable.

PAIRING YOUR SOUNDBAR WITH A BLUETOOTH DEVICE

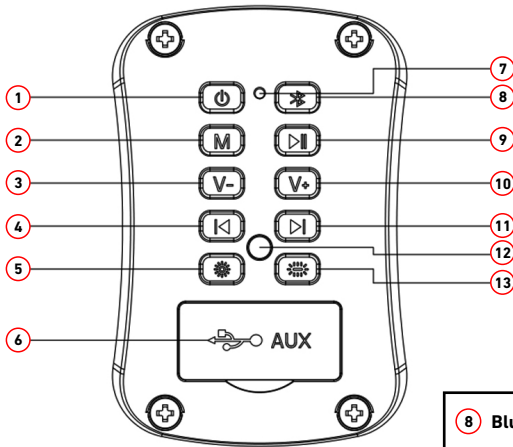
Follow these instructions to pair your soundbar with a Bluetooth device:

Step 1: Turn on your soundbar.

Step 2: On your soundbar control panel, press the Bluetooth button  to enter pairing mode. The indicator light will become blue, showing that the soundbar is in pairing mode and ready to connect.

Step 3: Navigate to your Bluetooth device's setup screen, find **KAXSNDBAR** and connect. If the connection is successful, your soundbar will announce "Bluetooth Connected."

OPERATING YOUR SOUNDBAR ON THE CONTROL PANEL





1 Power Button	Long press for 3 seconds to power on/off.
2 MODE Button	Short press to switch between function modes: BT, AUX IN, USB.
3 Volume "-" Button	Short press or long press to decrease volume.
4 Previous Track Button	Short press to go to the previous track.
5 Front Speaker Light Mode Button	<ol style="list-style-type: none"> 1. Long press for 3 seconds to turn lights on/off. 2. Short press to change light modes: Bright white, Medium bright white, Red, Green, Blue, Purple and Breathing modes. 3. Long press 3 seconds on both 5 and 13 to sync or unsync front speaker lights and back strip lights.
6 USB Port & AUX IN 3.5mm Port	<ol style="list-style-type: none"> 1. Insert a USB drive to switch to USB playback mode. 2. Connect a 3.5mm audio source for playback in AUX mode.
7 MIC Input	Connect to your phone via Bluetooth to receive calls.

8 Bluetooth/TWS Button	<ol style="list-style-type: none"> 1. Short press to reconnect or disconnect a paired Bluetooth device. 2. Long press 3 seconds to enter or exit TWS (True Wireless Stereo) mode.
9 Pause/Play Button	<ol style="list-style-type: none"> 1. Short press to pause or play music. 2. Short press to answer or hang up a call.
10 Volume "+" Button	Short press or long press to increase volume. An alert sounds at maximum volume.
11 Next Track Button	Short press to go to the next track.
12 Indicator Lights	<ol style="list-style-type: none"> 1. Bluetooth Mode: Blue LED. 2. TWS Mode: Purple LED. 3. USB Mode: Red LED. 4. AUX Mode: Green LED.
13 Back Strip Light Mode Button	<ol style="list-style-type: none"> 1. Long press for 3 seconds to turn lights on/off. 2. Short press to change light modes: Bright white, Medium bright white, Red, Green, Blue, Purple and Breathing modes. 3. Long press 3 seconds on both 5 and 13 to sync or unsync front speaker lights and back strip lights.

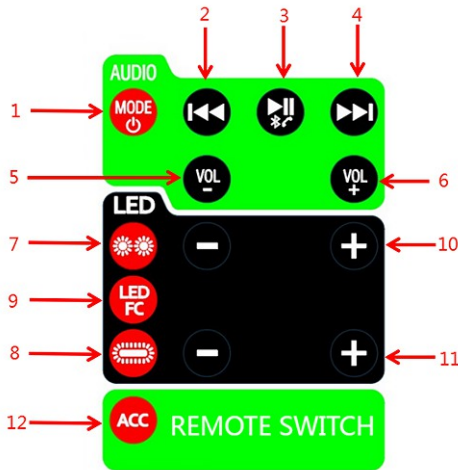
OPERATING YOUR SOUNDBAR IN TWS MODE

The Kickass ExtremeX Soundbar allows you to pair two soundbars for a stereo audio experience. Here's how to set it up and use it:



- Step 1:** Ensure both soundbars are turned on and in Bluetooth mode.
- Step 2:** On either soundbar control panel, long press the Bluetooth button  for 3 seconds until the purple LED is on.
- Step 3:** Once paired, the indicator light on the other soundbar will become purple, showing a successful connection.
- Step 4:** Both Soundbars will operate simultaneously in TWS Mode.
- Step 5:** Long press the Bluetooth button  again for 3 seconds to exit the TWS mode.

OPERATING YOUR SOUNDBAR WITH THE REMOTE CONTROL

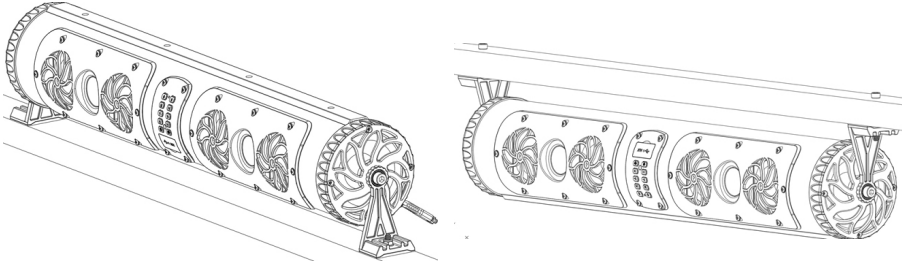


① Power Button	<ol style="list-style-type: none"> 1. Long press for 3 seconds to power on/off. 2. Short press to switch between function modes: BT, AUX IN, USB.
② Previous Track Button	Short press to go to the previous track.
③ Pause/Play Button	<ol style="list-style-type: none"> 1. Short press to pause or play music. 2. Short press to answer or hang up a call. 3. Long press 3 seconds to enter or exit TWS mode.
④ Next Track Button	Short press to go to the next track.
⑤ Volume "-" Button	Short press or long press to decrease volume.
⑥ Volume "+" Button	Short press or long press to increase volume. An alert sounds at maximum volume.

⑦ Front Speaker Light Mode Button	<ol style="list-style-type: none"> 1. Long press for 3 seconds to turn lights on/off. 2. Short press to change light modes: Bright white, Medium bright white, Red, Green, Blue, Purple and Breathing modes.
⑧ Back Strip Light Mode Button	<ol style="list-style-type: none"> 1. Long press for 3 seconds to turn lights on/off. 2. Short press to change light modes: Bright white, Medium bright white, Red, Green, Blue, Purple and Breathing modes.
⑨ Speaker/Light Strip Combo Button	Short press to enter or exit synchronisation mode for the speaker lights and rear light strip
⑩ Front Speaker Light Mode Button	Short press to change light modes: Bright white, Medium bright white, Red, Green, Blue, Purple and Breathing modes.
⑪ Back Strip Light Mode Button	Short press to change light modes: Bright white, Medium bright white, Red, Green, Blue, Purple and Breathing modes.
⑫ Accessory Mode Button	Short press to turn your 12V accessory power on and off.

MOUNTING YOUR SOUNDBAR

Step 1: Place 2 x mounting legs on both ends of the soundbar at your desired orientation and attach them using the provided x2 Socket Head Cap Screw M8 *16mm and an Allen key. Tighten them securely.

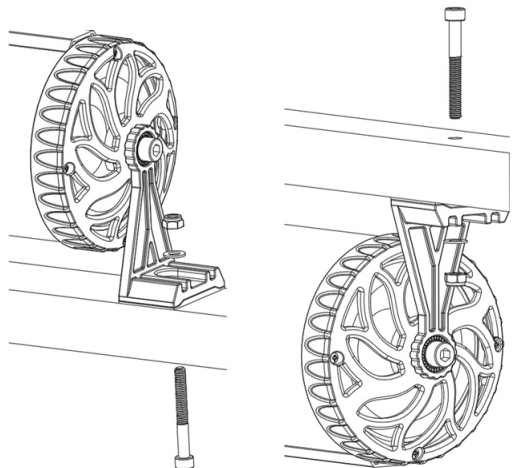


Step 2: Make sure that the soundbar fits in the desired location and mark where the mounts will be attached to mounting surface.

Step 3: Carefully drill holes in the positions marked on the mounting surface.

Step 4: Place rubber vibration pads on both mounts.

Step 5: Attach the mounts to the marked and predrilled mounting points with the provided Socket Head Cap Screw, Washer and Insert Locking Nut. Tighten them securely.



WARRANTY & SUPPORT INFORMATION



Need help? For product support or to make a warranty claim, reach out to the KickAss Customer Service team on (07) 3123 4715 or at support@kickassproducts.com.au.

Alternatively, visit our Customer Support Portal at:

<https://supportportal.kickassproducts.com.au/>

KICKASS

KickAss is a registered trademark of
KickAss Products Pty Ltd.

Designed & imported by
KickAss Products Pty Ltd
39 Iris Place, Acacia Ridge, QLD 4110
Australia

Made in China

