



MINI POWER BOX USER MANUAL



SKU: KAMINIPB

VER 1.3

1. INTRODUCTION

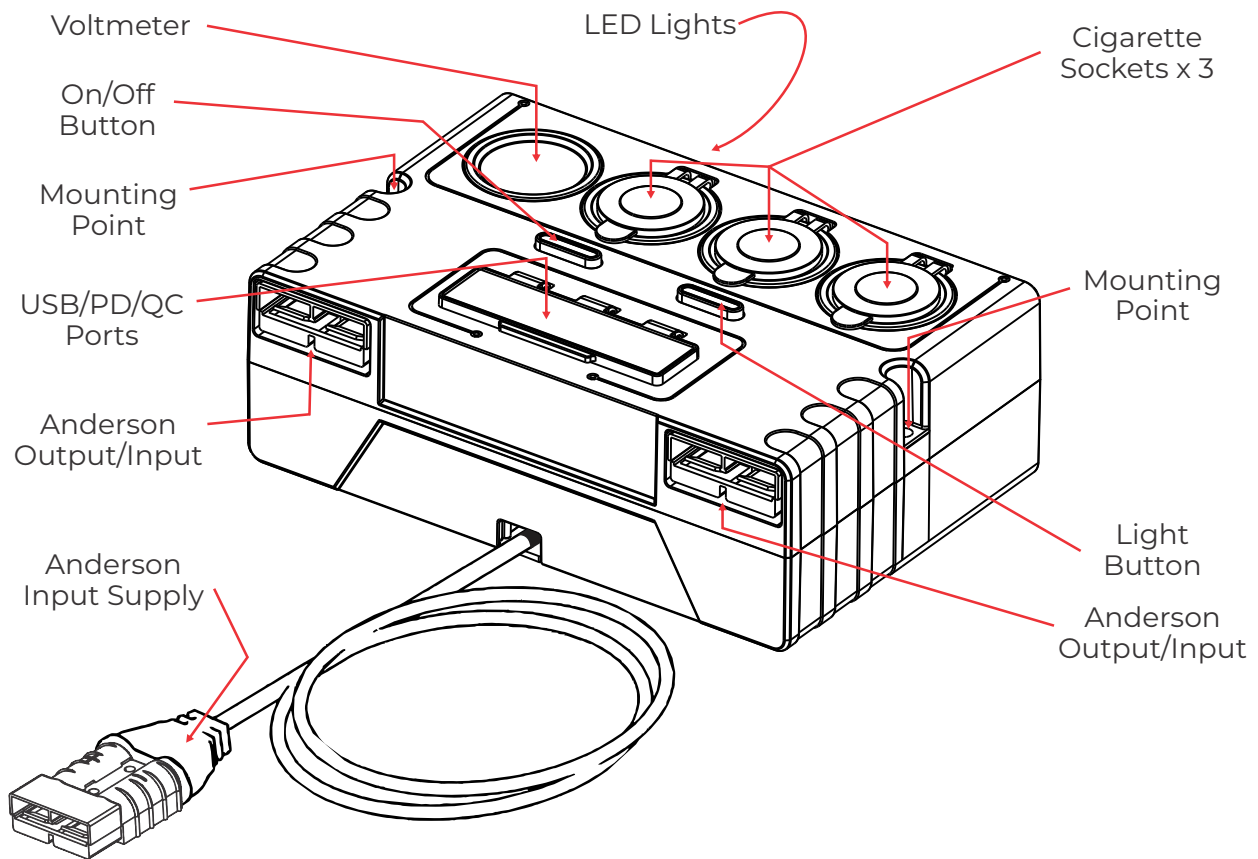
The KickAss Mini Power Box is a compact low voltage distribution device with multiple outlets suited to 12 Volt and other low voltage appliances. The Mini Power Box is perfect for use when connecting many devices to one 12 Volt power source as the multiple sockets allow for easy connection. Up to 5 x 12 Volt main devices can be connected and up to 6 x USB devices with a maximum current of 40 Amps. The Mini Power Box has an inbuilt voltmeter for battery voltage monitoring and also an integrated LED interior light with dimming function. The unit can be used as a portable freestanding device or it can be mounted for fixed installation. We hope you enjoy your Mini Power Box, please read the instructions below carefully to get the most out of it.

2. INSTALLATION

The Mini Power Box may be used free standing for portable use. If however you want it permanently mounted follow the steps below:

- a) Ensure the installation area is a flat surface and accessibility to the unit is not obstructed.
- b) Ensuring the unit is level use the screws provided to secure. We recommend predrilling the mounted surface first and fastening the screws by hand screwdriver only. Do not over tighten the mounting screws.
- c) Connect the 12 Volt supply via the input Anderson style connector. This is either a permanent supply from a battery, or it could also be from an Anderson extension cable from a portable battery box when using the unit for portable use. The unit is now ready for use.

3. OVERVIEW



4. OPERATION

Voltmeter and USB Ports

Once installed and connected to a 12 Volt power source the unit is ready to power devices. The On / Off button is used to turn the voltmeter display on and off. All other outputs including the USB/PD/QC and 50A Anderson ports are always ON as soon as the main input supply is connected.

LED Light

To operate the LED light, simply press the Light button to activate the LED light. The brightness of the light can be adjusted in steps. Simply keep pressing the Light button to reach the desired brightness. To turn off the light, keep pressing until the light goes out.

Cigarette Sockets and Anderson Inputs / Outputs

Both cigarette sockets and Anderson sockets will supply 12 volts as soon as the 12 Volt input is connected. The Anderson input / outputs can also accept a charging connection such as a solar panel, DC charger input, alternator input or battery charger. When connecting a charging connection input to the Mini Power Box ensure that it is a regulated charge and do not exceed 40Amps. When in use, do not exceed 40Amps maximum current draw. Do not exceed 10Amps.

5. TROUBLESHOOTING

| PROBLEM | SOLUTION |
|---|--|
| 1. USB/PD/QC Ports not working / Charging | a) Ensure the unit is at operating voltage 12 Volt + |
| 2. The LED Light button is not working | a) Ensure the unit is at operating voltage 12+ b) Ensure you have pressed the button multiple times to step up the brightness level. |
| 3. There is no power from the cigarette sockets | a) The internal fuse may have blown. Carefully unscrew the back of the unit, there is one spare red 10A fuse inside which can be used for quick field repair |
| 4. There is no power from the unit at all | a) The unit may be overloaded. There is an auto reset circuit breaker inside. Disconnect all appliances, wait 5 minutes, then check ON modes is working if so try appliances one by one to ensure no short circuits. |

6. SPECIFICATIONS

VOLTAGE: 12 Volt DC

CURRENT MAX:

- CIG SOCKETS 10A FUSED (SPARE INSIDE)

- ANDERSON STYLE INPUT/OUTPUTS 40A TOTAL AUTO RESET BREAKER

USB: 4 X 2.1A

USB-C PD: 1 X 18W

QC 3.0: 1 X 18W

AGM/LEAD ACID STATE OF CHARGE

12.7 VOLT - 100% 12.5 VOLT - 80%

12.2 VOLT - 50% 10.5 VOLT - FLAT

INPUT CONNECTION

50AMP ANDERSON CONNECTOR 1M 8B&S CABLE

THANK YOU FOR CHOOSING



KickAss® is committed to providing you with the most up to date product information. As printed material is harder to update we have created an online user guide portal including videos, user guides and product tips so you can view or download the latest product information at any time. This also helps to save our environment which we are committed to just as much as we are committed to our customer service.



ONLINE USER GUIDES

To get started with this product, please visit

USERGUIDES.KICKASS.COM.AU

and search for your SKU code



SCAN QR CODE

OUR GUARANTEE

This KickAss® product comes with a 1 year warranty for your peace of mind. In the unlikely event this product fails when used according to our user guide, we will either repair or replace it. For full warranty terms and conditions on this product, please see the user guide at:

userguides.kickass.com.au

Customer Support

For any technical or warranty enquires please visit our customer service portal at:

warranty.kickass.com.au

KICKASS PRODUCT QUALITY

In Australia, our goods come with guarantees that cannot be excluded under the Australian Consumer Law. You are entitled to a replacement or refund for a major failure and compensation for any other reasonably foreseeable loss or damage. You are also entitled to have the goods repaired or replaced if the goods fail to be of acceptable quality and the failure does not amount to a major failure.

Warranty does not cover products that have not been used in accordance with the KickAss® user guide or are outside the warranty terms and conditions.

QUESTIONS AND COMMENTS

Please visit us at **kickass.com.au** or
email us at **support@kickass.com.au**

THANK YOU FOR PURCHASING **KICKASS[®]**
12V MINI POWER BOX



