

## Overview

Vision Technology provides safe LiFePO4 battery solutions for UPS , Energy storage system and Recreational Vehicle. This battery system serves for solutions for UPS , Energy storage system and Recreational Vehicle with perfect compatibility and safe long cycle.

## Features

- Customized protection board functions and parameters;
- Intelligent balance management;
- Built-in automatic protection for over-charge, over-discharge and over-temperature;
- Supports series and parallels;

## Module Preview



## Performance Data

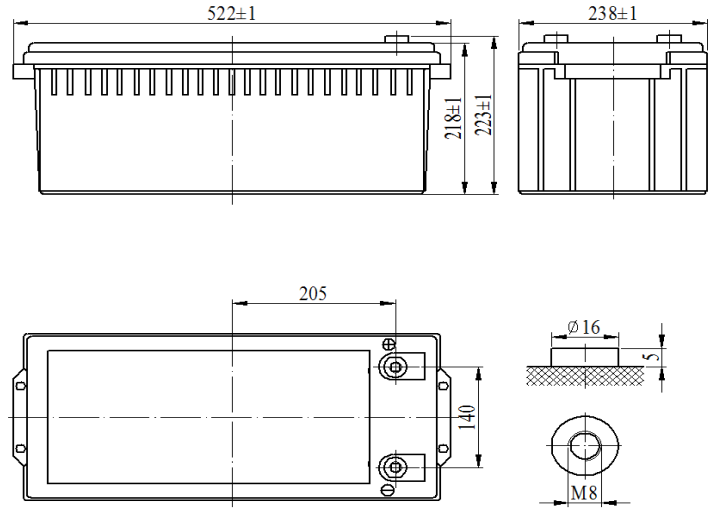
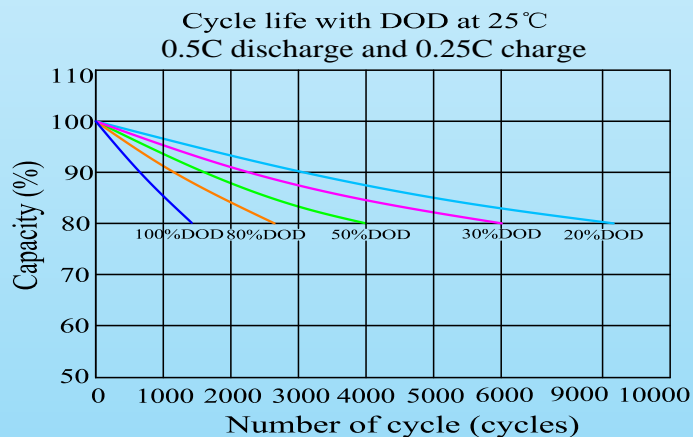
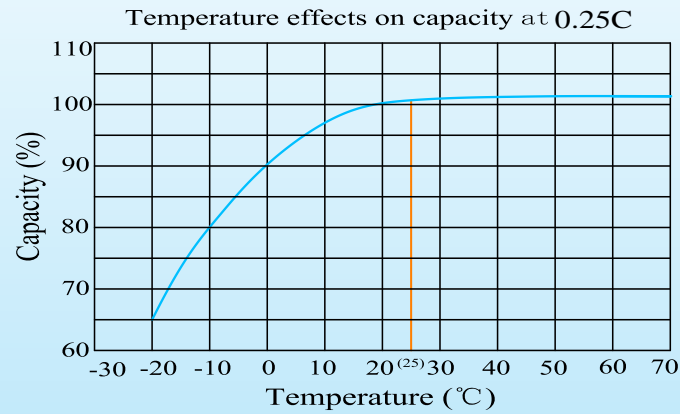
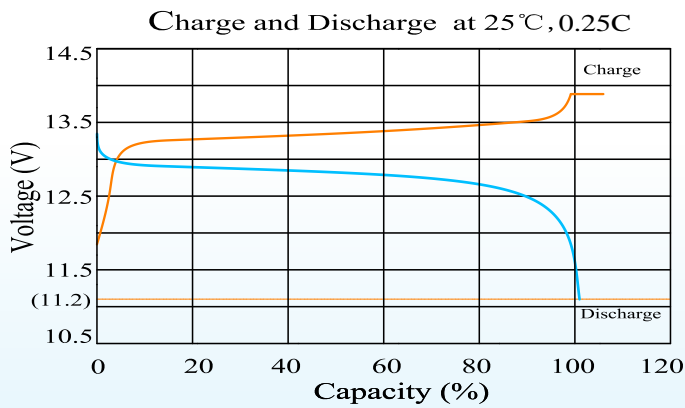
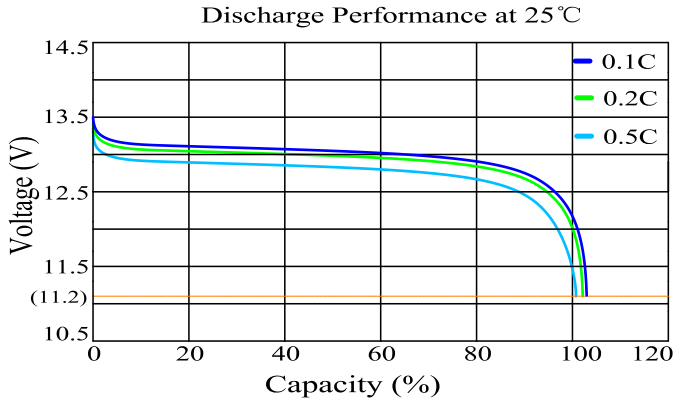
Time(min)	120	180	240	360	480	720
Constant Power(kw)	1.12	0.74	0.56	0.42	0.30	0.21
Constant Current(A)	100	66.6	50	33.3	25	16.7

## Specification

Voltage Range(V)	9.2 ~14.6
Cell	3.2V100Ah
Cell Series & Parallels	4S2P
Rated Voltage(V)	12.8
Rated Capacity(Ah)	200
Rated Energy(KWh)	2.56
Maximum Charge Current(A)	50
Maximum Discharge Current(A)	100
Pulse Current(A) ( 5s)	200
Discharge Cut-off Voltage(V)	11.2
Recommended Charge Voltage(V)	13.6 ~ 13.8
Life Cycle (@25°C,0.5C/0.25C,80%DOD )	Approx 2500
Short-circuit Current ( < 10ms)	Approx.2500A
Dimension(W* D* H)	(522*238*223 ) mm
Total Weight(Kg)	Approx.21.5
Internal Resistance Fully Charged@ 25	5mOhms
Thermal Management	Nature cooling
Operating Temperature	Charge 0 ~ 50
	Discharge -20 ~ 65
Operating Humidity	60 ± 25%R.H.
System Series	6
System Parallels	6

### Characteristics Curve

### Size



MECHANICAL SPECIFICATIONS	
Case Material	ABS-FR
Cell Type-Chemistry	Prismatic LiFePO4
Terminal Type	M8
IP Grade	IP65

BMS CHARACTERISTICS	
Recommended Charge Current	25A
Maximum Charge Current	50A
Maximum Continuous Discharge Current	100A
Recommended Charge Voltage	13.6V-13.8V
Max Charge Voltage	14.4V-14.6V
Overcharge Protection Voltage	14.8V-15.2V
Charge Mode	CC/CV
Discharge Cut-off Voltage	11.2V