

SOLAR SET UP

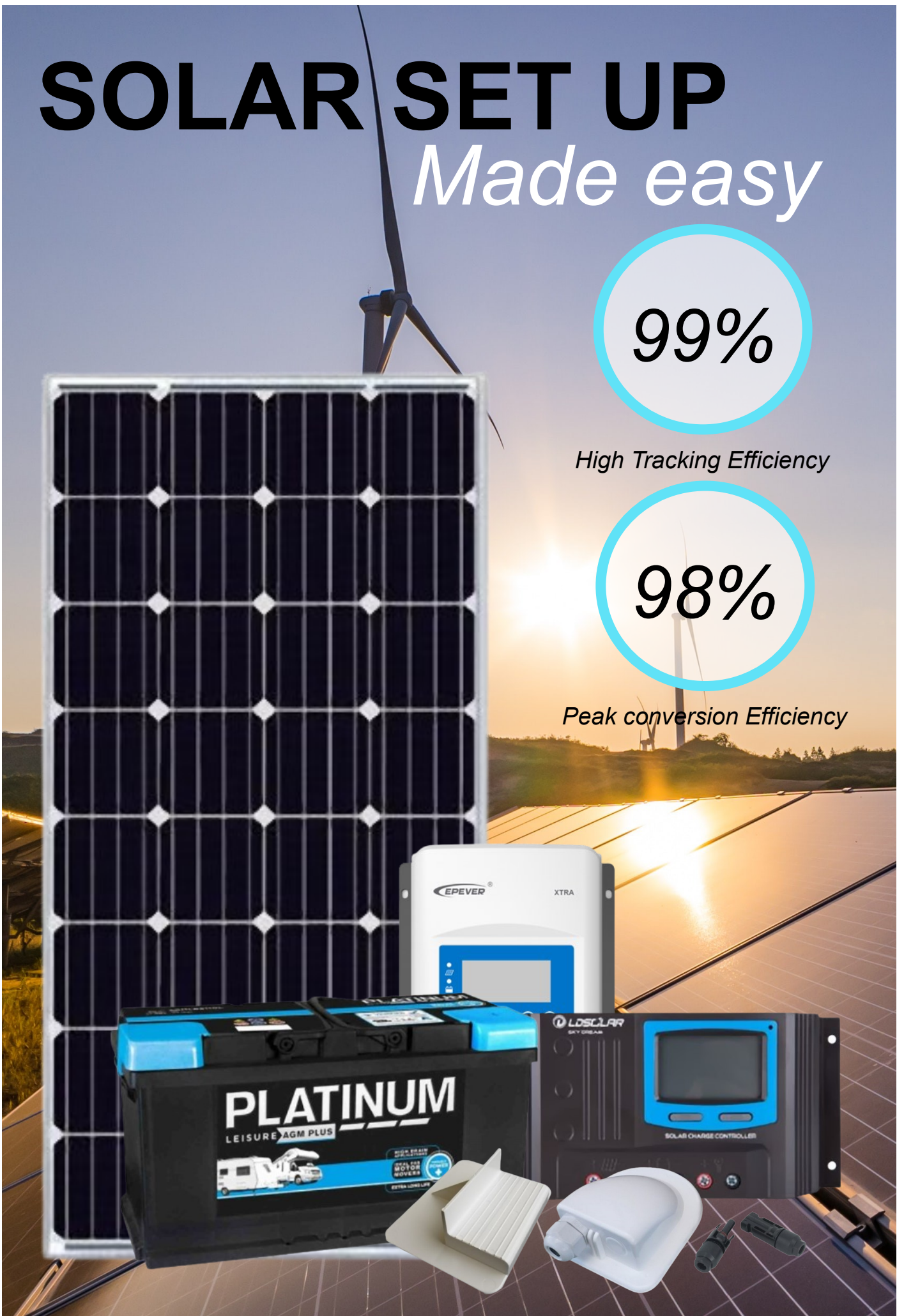
Made easy

99%

High Tracking Efficiency

98%

Peak conversion Efficiency



22%

High Efficiency of Grade A+ Solar Cells

Minimize Power Drop Caused by Shade

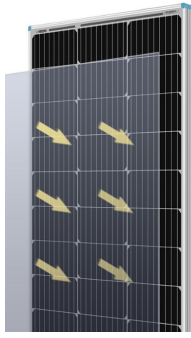
Bypass Diode

0-4%

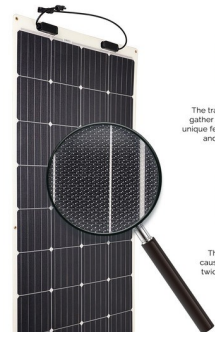
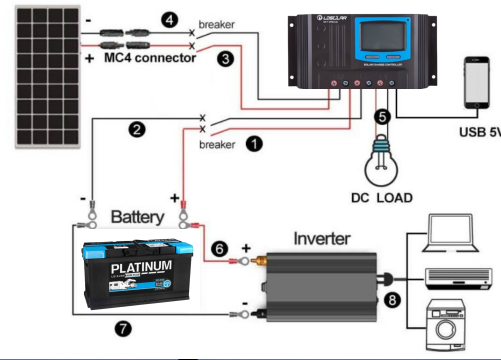
Positive Output Tolerance

91.5%

High Transparency



Solar Panel



The transparent dots on the surface can gather sunlight from different angles; this unique feature can sufficiently utilize sunlight and increase solar conversion rate



The matrix distributed dots can cause refraction and utilize sunlight twice thus increase conversion rate



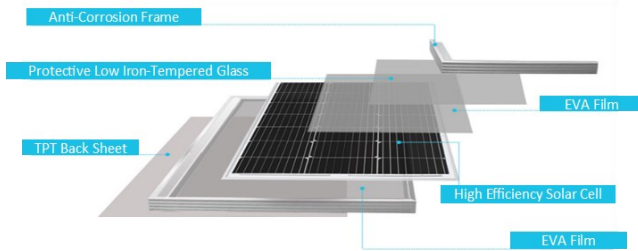
Solar Panel Options

Dimensions (LxWxD)	Watt	Code
670 x 350 x 28mm	40W	RVJ147
1134 x 544 x 3mm (Flex)	100W	RVJ168
780 x 676 x 35mm	100W	RVJ191E
1324 x 676 x 35mm	175W	RVJ1971
1482 x 676 x 35mm	200W	RVJ1975
1956 x 992 x 40mm	390W	RVJ1989

Idea for boats, camping, farming, charging small/or maintaining larger batteries, in remote locations without 240 Volt power.

The Power Train Solar Smart Chargers are the ideal solution to never get caught out with a flat battery. Ideal for boats, classic cars, motorcycles, caravans, motorhomes and other outdoor pursuits where mains power is not available to charge your batteries.

Monocrystalline Solar Panels



Charge your batteries using the power of the sun from an energy source which is free, renewable and non-polluting, allowing you the freedom to camp anywhere.

Solar Cable Connector MC4

Add the MC4 connectors when needing to extend the cables on the solar panels. They have an auto-lock structure to make electrical contact more reliable. (RVJ220)



Platinum 12V AGM Battery

12V. 100 AH – NCC Approved and Verified. AGM Spill Proof Technology. Round Post Connections. Calcium Plate Technology for longer life. Maintenance free. Fully charged and ready to fit. (RVK470)



Cable Entry Point

Waterproof Luran® S terminal cover for a smart tidy finish for wiring solar panels to the battery area. (RVJ209)

Mounting Brackets (4 pack)

Plastic UV Resistant Solar Panel Mounting Brackets. An ideal way to fix solar panels. (RVJ205)

Solar Controller Options:

MPPT Solar Controller 40 Amp 12/24V (RVJ426)

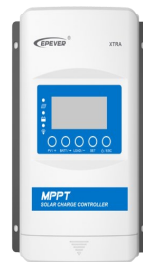
Solar Controller 30 Amp 12/24V With LCD Display (RVJ421)

Solar Controller 10 Amp 12/24V With USB (RVJ372)

Solar Controller 17 Amp 300W 12V (RVL750)



Solar Controller 40Amp



Maximize the energy harvest from PV arrays and simultaneously minimize the power loss within a wide range of operating conditions. The XTRA series apply an advanced smart algorithm which results in up to 30% higher efficient charging. (RVJ428)

Features:

- Advanced MPPT technology & ultra-fast tracking speed is up to 99.5 % guaranteed.
- Maximum DC/DC transfer efficiency is as high as 98 %, full load transfer efficiency is up to 97.4 % function for lithium battery charging.
- Real-time energy statistics function.

Contact Us:

