

# SOLAR SET UP

*Made easy*

99%

*High Tracking Efficiency*

98%

*Peak conversion Efficiency*



22%

High Efficiency of Grade A+ Solar Cells

Minimize Power Drop Caused by Shade

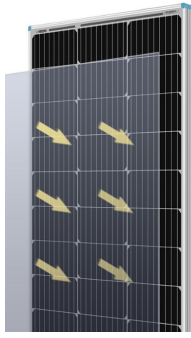
Bypass Diode

0-4%

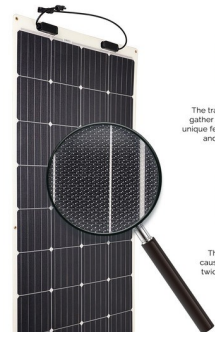
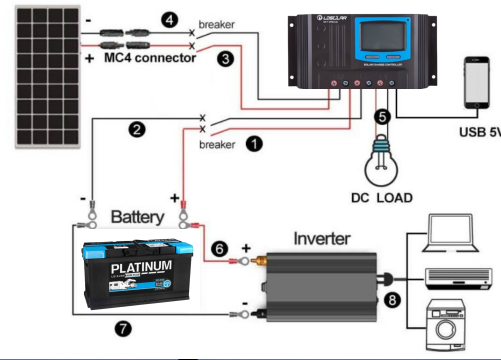
Positive Output Tolerance

91.5%

High Transparency



### Solar Panel



The transparent dots on the surface can gather sunlight from different angles; this unique feature can sufficiently utilize sunlight and increase solar conversion rate



The matrix distributed dots can cause refraction and utilize sunlight twice thus increase conversion rate



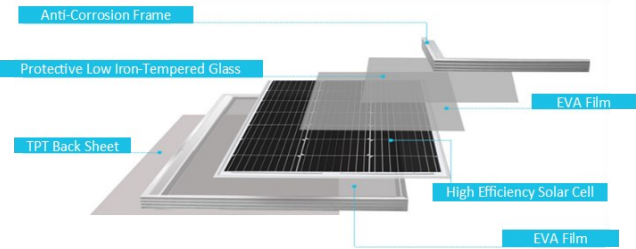
## Solar Panel Options

Dimensions (LxWxD)	Watt	Code
670 x 350 x 28mm	40W	RVJ147
1134 x 544 x 3mm (Flex)	100W	RVJ168
780 x 676 x 35mm	100W	RVJ191E
1324 x 676 x 35mm	175W	RVJ1971
1482 x 676 x 35mm	200W	RVJ1975
1956 x 992 x 40mm	390W	RVJ1989

Idea for boats, camping, farming, charging small/or maintaining larger batteries, in remote locations without 240 Volt power.

The Power Train Solar Smart Chargers are the ideal solution to never get caught out with a flat battery. Ideal for boats, classic cars, motorcycles, caravans, motorhomes and other outdoor pursuits where mains power is not available to charge your batteries.

## Monocrystalline Solar Panels



Charge your batteries using the power of the sun from an energy source which is free, renewable and non-polluting, allowing you the freedom to camp anywhere.

## Solar Cable Connector MC4

Add the MC4 connectors when needing to extend the cables on the solar panels. They have an auto-lock structure to make electrical contact more reliable. (RVJ220)



## Platinum 12V AGM Battery

12V. 100 AH – NCC Approved and Verified. AGM Spill Proof Technology. Round Post Connections. Calcium Plate Technology for longer life. Maintenance free. Fully charged and ready to fit. (RVK470)



## Cable Entry Point

Waterproof Luran® S terminal cover for a smart tidy finish for wiring solar panels to the battery area. (RVJ209)

## Mounting Brackets (4 pack)

Plastic UV Resistant Solar Panel Mounting Brackets. An ideal way to fix solar panels. (RVJ205)

## Solar Controller Options:

MPPT Solar Controller 40 Amp 12/24V (RVJ426)

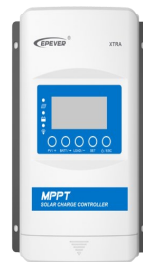
Solar Controller 30 Amp 12/24V With LCD Display (RVJ421)

Solar Controller 10 Amp 12/24V With USB (RVJ372)

Solar Controller 17 Amp 300W 12V (RVL750)



## Solar Controller 40Amp



Maximize the energy harvest from PV arrays and simultaneously minimize the power loss within a wide range of operating conditions. The XTRA series apply an advanced smart algorithm which results in up to 30% higher efficient charging. (RVJ428)

### Features:

- Advanced MPPT technology & ultra-fast tracking speed is up to 99.5 % guaranteed.
- Maximum DC/DC transfer efficiency is as high as 98 %, full load transfer efficiency is up to 97.4 % function for lithium battery charging.
- Real-time energy statistics function.

## Contact Us:

