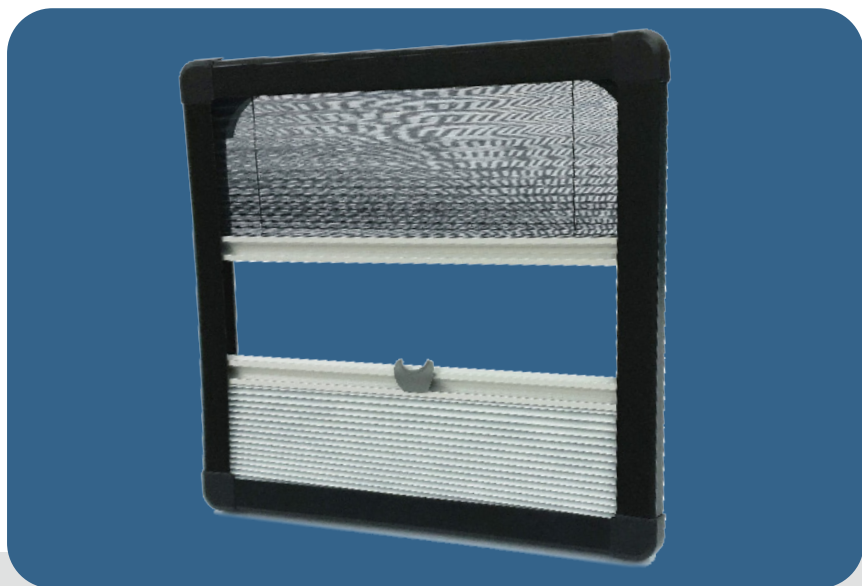


Installation Manual

UCS curved



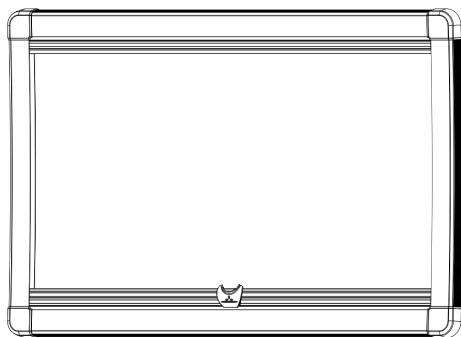

HORREX

Table of content

	Package contents	6
1	Symbols	7
2	Options	8
3	Safety instructions	9
4	Use	10
5	Installation	11
5.1	<i>Check before installing</i>	11
5.2	<i>Installation</i>	11
5.3	<i>Use</i>	12
5.4	<i>Maintenance</i>	13
6	Warranty	17
7	Recycling	17
8	Technical data	18



Package contents



1X UCS system

SCREW 3.5*25



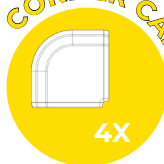
6X*

Z-CLIPS



0X*

CORNER CAP



4X

* Systems smaller than 900 mm have 4 wall screws and no Z-clips.

* Systems wider than 900 mm have 6 wall screws and 2 Z-clips.

SCREWDRIVER



MEASURING TAPE



1

Symbols



Caution!

Not following or incorrectly following these instructions can lead to serious injuries.



Note!

Not following or incorrectly following these instructions can lead to damage or reduced functionality of the product.



Info

Additional information about the product.



2

Options

Product dimensions	Colors
B 314 x H 414 mm	RAL9001 of RAL9005
B 524 x H 534 mm	RAL9001 of RAL9005
B 594 x H 499 mm	RAL9001 of RAL9005
B 734 x H 544 mm	RAL9001 of RAL9005
B 784 x H 499 mm	RAL9001 of RAL9005
B 852 x H 349 mm	RAL9001 of RAL9005
B 994 x H 484 mm	RAL9001 of RAL9005
B 1019 x H 499 mm	RAL9001 of RAL9005

Spare parts

Clicker

Cord package

Z-clips

Corner cap

3

Safety instructions

Please follow the prescribed safety instructions from the vehicle manufacturer at all times.

Horrex is not responsible for damage caused in the following situations:

- Incorrect assembly or connection to the product;
- Damage to the product due to mechanical influences;
- Modifications to the product without the permission of the producer;
- Use for purposes other than described in the manual.



Info

If you do not have enough technical knowledge for the installation, then have the product installed by a specialist.



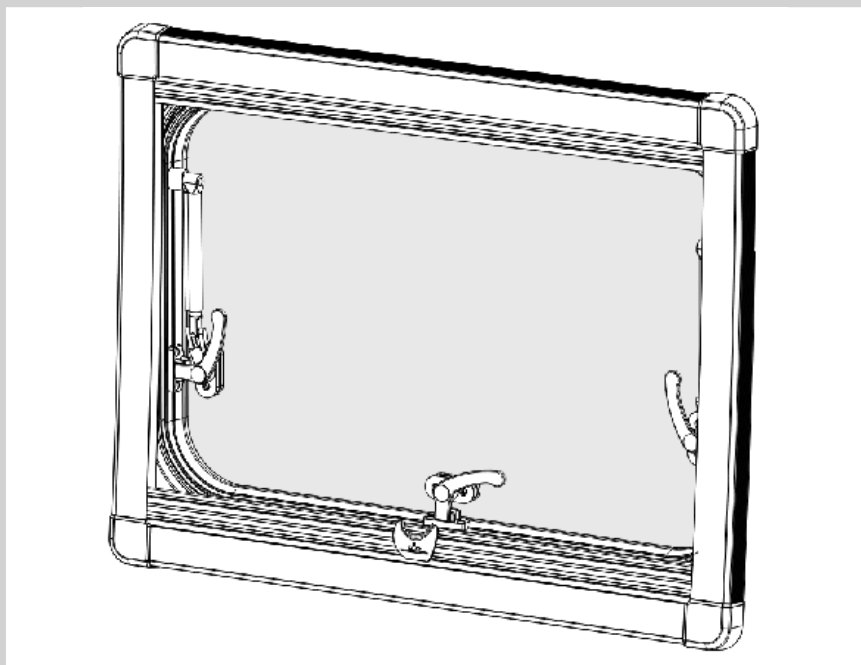
4

Use

This product can only be used in vehicles with a minimum wall thickness of 26 mm, so that the screws do not protrude on the outside of the wall.

Use only in combination with the supplied parts or additional parts from Horrex. This can be found in chapter 2 of this manual.

Het is niet toegestaan het product te gebruiken voor doeleinden It is not permitted to use the product for purposes other than the usage shown below.



5

Installation

5.1 Check before installing

Check before installing if there is enough space available to install the product, if the UCS does not block any other products after installing, and if the wall thickness is enough for the supplied screws.

For safety reason, please note the presence of wiring and electrical components in the installation area. When drilling and/or screwing, pay particular attention to wiring out of sight.

5.2 Installation

Follow the following steps to install the product.

- A: Z-clips are provided when the product is wider than 900 mm. Mount these Z-clips at the right distance from the hole for the window. For DC windows, this distance is 16 mm from the window hole. For RK, mount them directly against the rubber. For PV, the Z-clip should fall around the window hole. The Z-clips are not applicable for S7 windows. Distribute the Z-clips evenly over both horizontal sides. Fasten the Z-clips with the supplied screws.



Note!

In the case of the screws not sticking in the wall, you should use wall plugs. Pay attention that you do not drill through the wall when doing this.



Info

It is advised to let a second person assist you when installing a bigger product.



- B: Place the product, with the blackout cassette at the bottom, against the wall. When Z-clips have been used, make sure that the profile falls around the clips well. If no Z-clips were used, align the product neatly on the window.
- C: Fasten the UCS against the wall with one screw per corner. There are two possible screw holes per corner piece. Choose the hole that is easiest to reach. Use the supplied screws for this.
- D: Click the corner caps on every corner piece.

5.3 Use

The blackout and mesh pull bar of the UCS is stepless adjustable in height. The pull bars can be moved up and down with one hand. The blackout pull bar and the mesh pull bar can be clicked together for extra closure.



Caution!

Risk of damage due to heat build-up between the UCS and the window panel. If the sun is shining strongly, close the eclipse material to a maximum height of two thirds.



Note!

Make sure the UCS is not closed for a long time as this will cause the material to slacken. If a vehicle is standing still for a long time, make sure that the material is raised slightly on both sides but is not clicked together. This ensures that the blind is ventilated on both sides (to prevent mold).

5.4 Maintenance

Carefully clean the product with a damp cloth regularly.

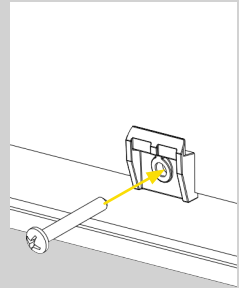
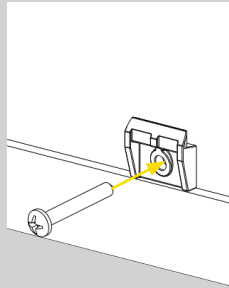
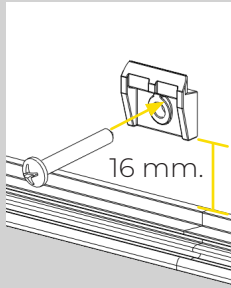


Note!

Do not use any sharp objects or chemical cleaning products that could damage the product.

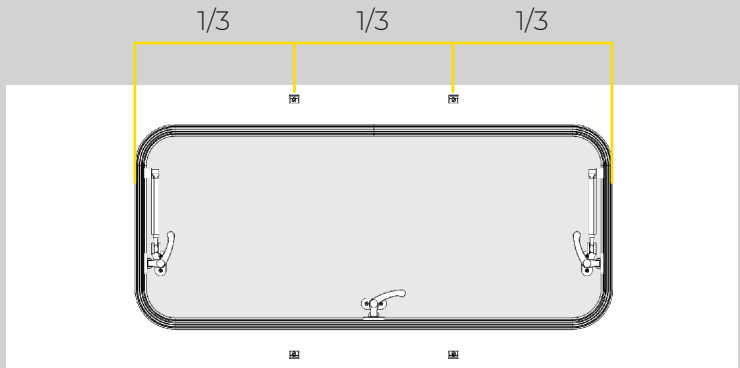
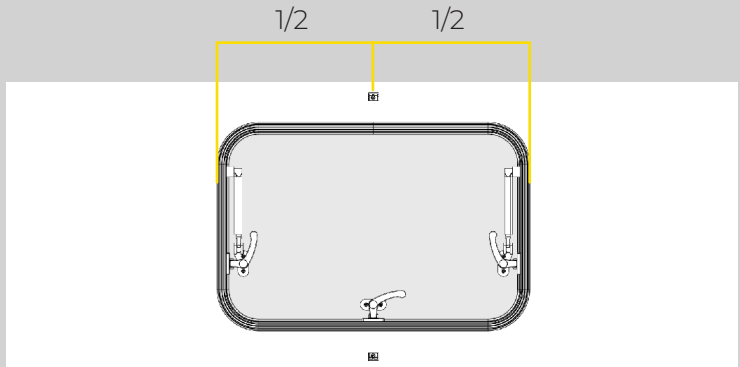


A

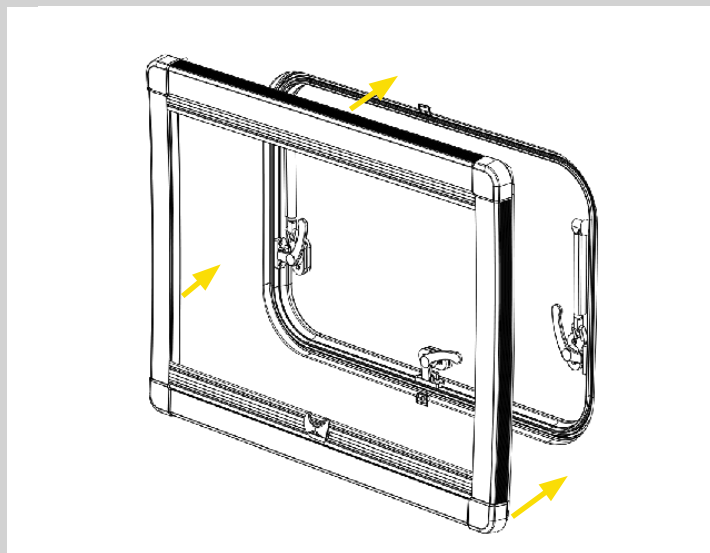


??

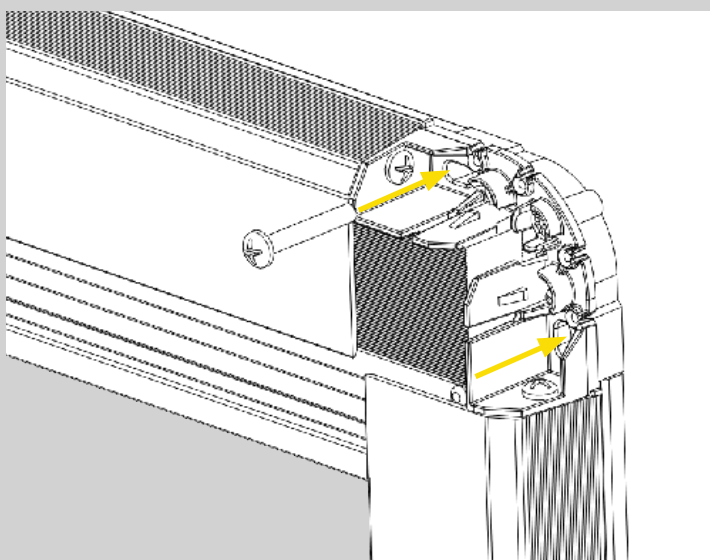
??

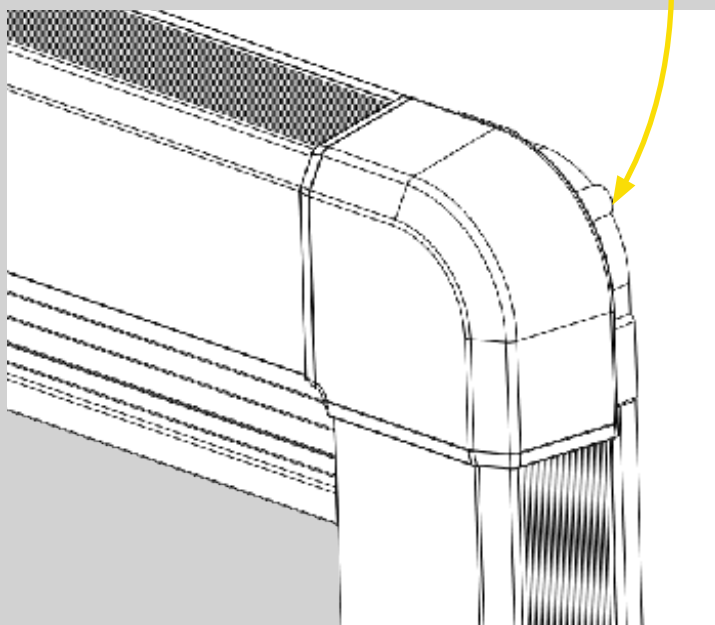
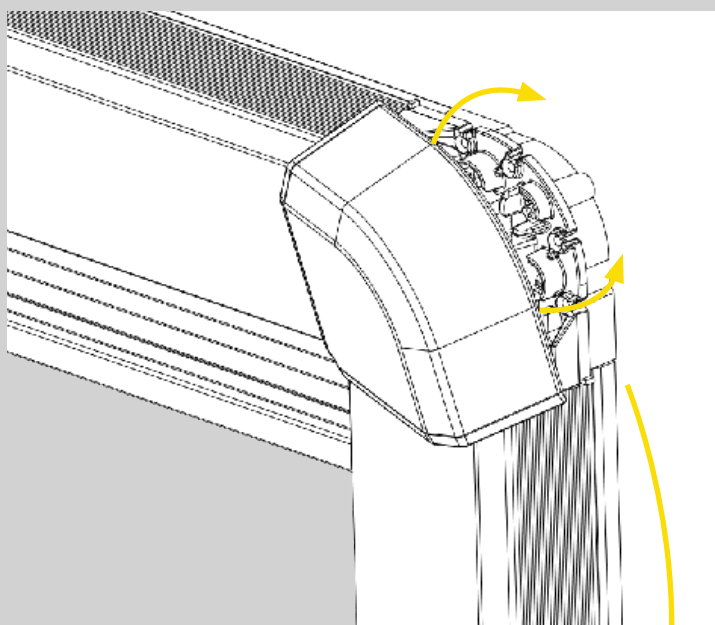


B



C





6

Warranty

A standard 2-year warranty applies to this product. If the product is defective, first contact your dealer or point of sale.

Distributors of original Horrex products and accessories can be found on our website:

<https://www.horrex.nl/consumers>

If you cannot find a solution, or if you have other questions, comments or suggestions, please send a message to: info@horrex.nl

7

Recycling

If possible, carefully separate the packaging material from this product and discard it in the appropriate bins for recycling.

If you want to dispose of the product itself, ask an employee at your local waste disposal station how to do this in accordance with applicable regulations.

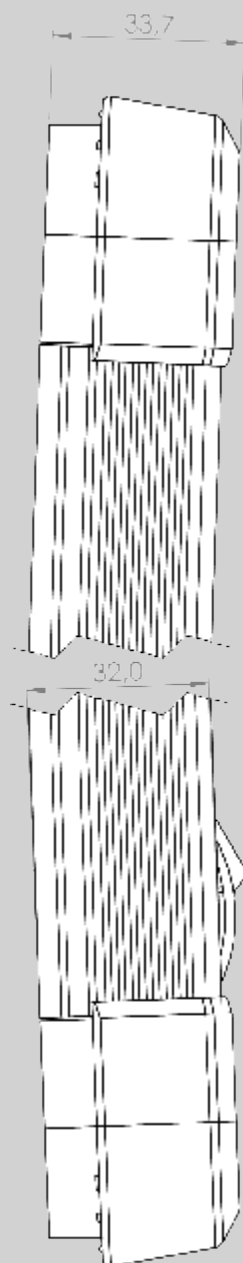
Please do not dispose of the product with household, garden and kitchen waste.



8

Technical data

Component	Material
Basic profile	Aluminum
Pull bar	Aluminum
Other plastic components	PA6 / PA6.6
Blackout	PET with aluminumlaag
Mesh	Polyester







www.drivingchangeint.com

Horrex BV

Taanderijstraat 19
3133 ET Vlaardingen

TEL +31(0)10 26 19 600

www.horrex.nl
info@horrex.nl