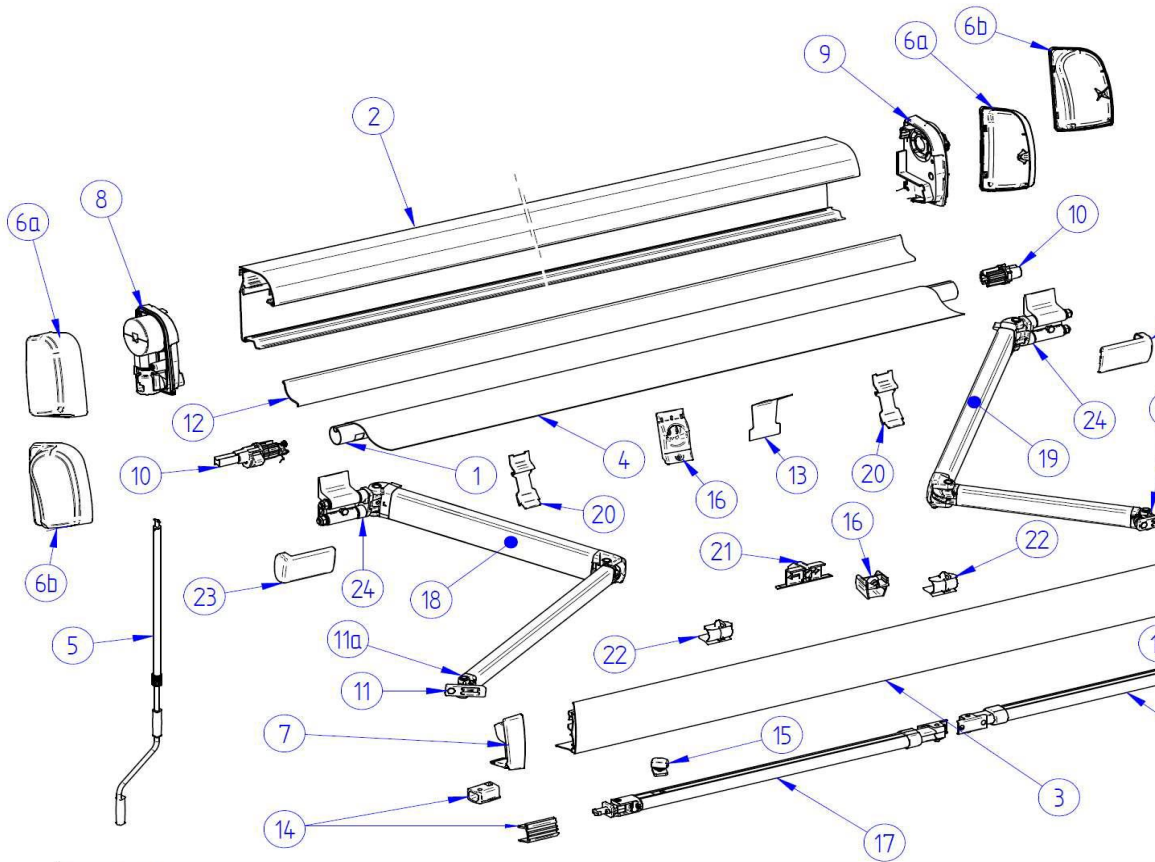


2015 SPARE PARTS LIST

4200



THULE 4200

	ART.NR.	DESCRIPTION
1	1500602658	ROLLER TUBE D=30X0.8MM / 4200-2,60M
	1500602186	ROLLER TUBE D=30X0.8MM / 4200-3.00M
	1500602187	ROLLER TUBE D=30X0.8MM / 4200-3.50M
	1500602188	ROLLER TUBE D=30X0.8MM / 4200-4.00M
	1500602189	ROLLER TUBE D=30X0.8MM / 4200-4.50M
2	1500603580	MAINHOUSING 4200 2M60 WHI
	1500603581	MAINHOUSING 4200 3M00 WHI
	1500603582	MAINHOUSING 4200 3M50 WHI
	1500603583	MAINHOUSING 4200 4M00 WHI
	1500603584	MAINHOUSING 4200 4M50 WHI
	1500603585	MAINHOUSING 4200 2M60 ANO
	1500603586	MAINHOUSING 4200 3M00 ANO
	1500603587	MAINHOUSING 4200 3M50 ANO
	1500603588	MAINHOUSING 4200 4M00 ANO
	1500603589	MAINHOUSING 4200 4M50 ANO
	1500603590	MAINHOUSING 4200 2M60 ANT
	1500603591	MAINHOUSING 4200 3M00 ANT
	1500603592	MAINHOUSING 4200 3M50 ANT
	1500603593	MAINHOUSING 4200 4M00 ANT
	1500603594	MAINHOUSING 4200 4M50 ANT
3	1500602661	LEADRAIL 4200/4900 2M60 WHI
	1500602194	LEADRAIL 4200/4900 3M00 WHI

	1500602195	LEADRAIL 4200/4900 3M50 WHI
	1500602196	LEADRAIL 4200/4900 4M00 WHI
	1500602197	LEADRAIL 4200/4900 4M50 WHI
	1500602662	LEADRAIL 4200/4900 2M60 ANO
	1500602248	LEADRAIL 4200/4900 3M00 ANO
	1500602249	LEADRAIL 4200/4900 3M50 ANO
	1500602250	LEADRAIL 4200/4900 4M00 ANO
	1500602251	LEADRAIL 4200/4900 4M50 ANO
	1500602950	LEADRAIL 4200/4900 2M60 ANT
	1500602951	LEADRAIL 4200/4900 3M00 ANT
	1500603607	LEADRAIL 4200 3M50 ANT
	1500603608	LEADRAIL 4200 4M00 ANT
	1500603609	LEADRAIL 4200 4M50 ANT
4	1500602663	FABRIC 2M60 4200 31
	1500602202	FABRIC 3M00 4200 31
	1500602204	FABRIC 3M50 4200 31
	1500602206	FABRIC 4M00 4200 31
	1500602208	FABRIC 4M50 4200 31
5	1500602210	HAND CRANK SMALL G2
6A	1500603610	LH + RH ENDCAP MAINH 4200 WHI STANDARD
	1500603611	LH + RH ENDCAP MAINH 4200 ANO STANDARD
	1500603612	LH + RH ENDCAP MAINH 4200 ANT STANDARD
6B	1500603613	LH + RH ENDCAP MAINH 4200 WHI AUTOMOTIVE
	1500603614	LH + RH ENDCAP MAINH 4200 ANO AUTOMOTIVE
	1500603615	LH + RH ENDCAP MAINH 4200 ANT AUTOMOTIVE
7	1500603616	LH + RH ENDCAP LEADRAIL 4200 WHI
	1500603617	LH -r RH ENDCAP LEADRAIL 4200 ANO
	1500603618	LH + RH ENDCAP LEADRAIL 4200 ANT
8	1500603619	LH ENDPLATE ASSY 4200 WHI
	1500603620	LH ENDPLATE ASSY 4200 ANO
	1500603621	LH ENDPLATE ASSY 4200 ANT
9	1500603622	RH ENDPLATE ASSY 4200 WHI
	1500603623	RH ENDPLATE ASSY 4200 ANO
	1500603624	RH ENDPLATE ASSY 4200 ANT
10	1500602219	LH -r RH ENDCAP ROLLERTUBE 4200 / 4900
11	1500602374	LH+RH CONN LEAD RAIL 4200 / 4900
11A	1500602753	LH-rRH STOP SPRING ARM 4200 / 4900
12	1500602665	SUPPORT ROLLER TUBE 4200 2M60
	1500602284	SUPPORT ROLLER TUBE 4200 3M00
	1500602285	SUPPORT ROLLER TUBE 4200 3M50
	1500602221	SUPPORT ROLLER TUBE 4200 4M00
	1500602222	SUPPORT ROLLER TUBE 4200 4M50
13	1500602223	SPRING SUPPORT ROLLER TUBE 4200 / 4900
14	1500602224	CONNECTION SUPPORT ARM 4200 / 4900
15	1500603625	KNOB SUPPORT ARM OVAL (2PCS)
16	1500602226	CONNECTION PCS TENSION RAFTER 4900
17	1500603627	SUPPORT LEG OVAL 2M60
	1500603628	SUPPORT LEG OVAL 3M00
	1500603629	SUPPORT LEG OVAL 3M50-4M50
18	1500602667	L.H. SPRING ARM 4200 ANO 2M60

	1500602229	L.H. SPRING ARM 4200 ANO 3,0/3,5M
	1500602230	L.H. SPRING ARM 4200 ANO 4,0/4,5M
19	1500602668	R.H. SPRING ARM 4200 ANO 2M60
	1500602231	R.H. SPRING ARM 4200 ANO 3,0/3,5M
	1500602232	R.H. SPRING ARM 4200 ANO 4,0/4,5M
20	1500603630	SPRING ARM HOLDERS 4200
21	1500602233	CENTRAL CLAMP SUPPORT ARM OVAL
22	1500602234	CLIP SUPPORT ARM OVAL
23	1500602235	LH -r RH COVER SPRING ARM BR.
24	1500602811	ROTATION PLATE 4200 / 4900 / 6200

RVZ6992
RVZ6993
RVZ6994
RVZ6995
RVZ6996