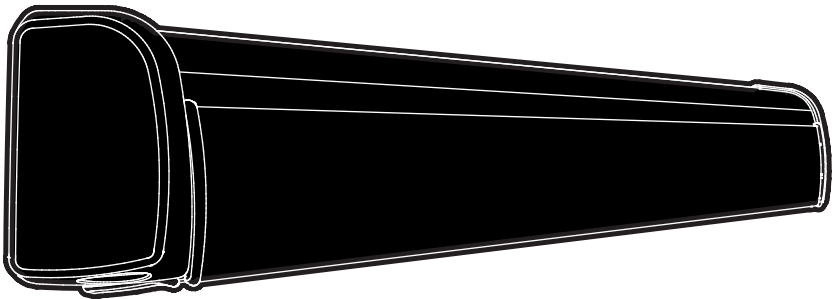
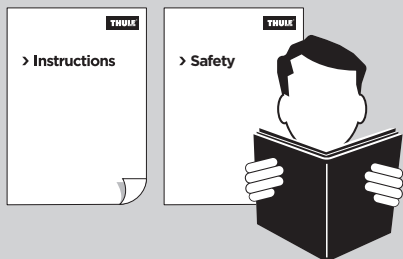


USER + INSTALLATION

➤ Instructions

Thule 4200
3028XX





| | |
|-----------|--------------------------------------|
| DE | Markise - Bedienungsanleitung |
| NL | Luifel - Gebruikershandleiding |
| FR | Store - Instructions d'utilisation |
| IT | Tenda - Istruzioni per l'uso |
| ES | Toldo - Instrucciones de uso |
| SV | Markis - Användarmanual |
| FI | Markiisi - Käyttöohje |
| DA | Markise - Brugervejledning |
| NO | Markise - Brukerinstruksjoner |
| PL | Markiza - Instrukcja dla użytkownika |

USER**4****1 WARNINGS & INFO****4**

Warnungen & Info / waarschuwingen & info / avertissements et informations / avvertimenti e informazioni / advertencias e información / varningar & info / varoitukset ja tiedot / advarsler og info / advarsler og info / ostrzeżenia i informacje

2 OPEN**6**

Öffnen / Openen / Ouvrir / Apri / Abrir / Öppna / Avaa / Åben / Åpne / Otwórz

3 CLOSE**12**

Schließen / Sluiten / Fermer / Chiudi / Cerrar / Stänga / Sulje / Luk / Lukke / Zamknij

INSTALLATION**16****4 CONTENT****16**

Inhalt / inhoud / contenu / contenuto / contenido / innehåll / sisältö / indhold / innhold / zawartość

5 TOOLS**17**

Werkzeuge / gereedschappen / outils / strumenti / herramientas / verktøy / työkalut / værktøjer / verktøy / narzędzia

6 GUTTER INSTALLATION**18**

Dachrinnen-Installation / Installatie goot / Installation de la gouttière / Installazione della grondaia / Instalación del canalón / Installation av dropplister / Kourun asennus / Montering af tagrende / Montering av renne / Instalacja rynienki

7 INSTALLATION**19**

Installation / installatie / installation / installazione / instalación / installation / asennus / installation / installasjon / instalacja

8 FOOT SUPPORT INSTALLATION**22**

Installation der Fußstütze / Installatie voetsteun / Installation du repose-pieds / Installazione del supporto del piede / Instalación del soporte para pies / Fotstödsinstallation / Jalkatuen asennus / Montering af fodstøtte / Fotstøttemontering / Instalacja wspornika stopy

9 HAND CRANK SUPPORT INSTALLATION

25

Installation der Handkurbelstütze / Installatie handzwengelsteun / Installation du repose-manivelle / Installazione del supporto della manovella manuale / Instalación del soporte de la manivela / Installation av handvevsstöd / Käsikammen tuen asennus / Håndsving hjælper med installation / Håndsveivstøttemontering / Instalacja wsparcia korby ręcznej

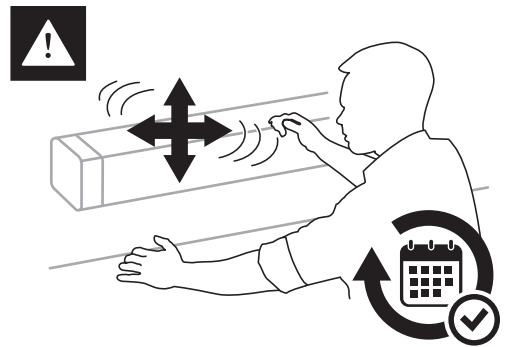
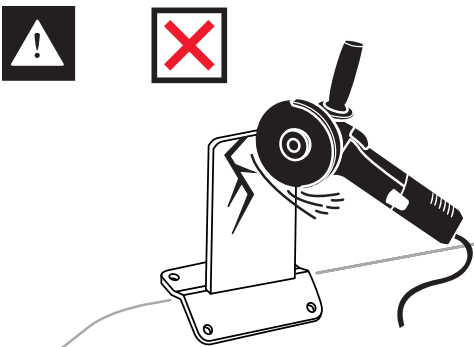
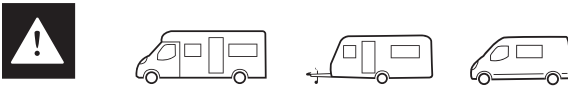
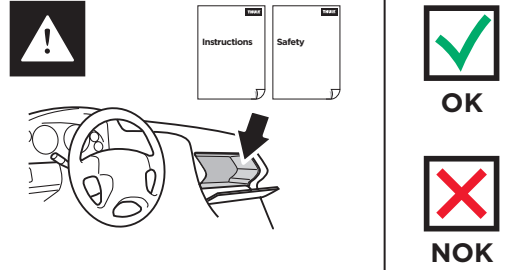
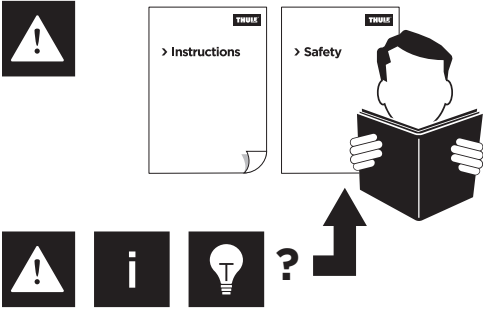
10 ACCESSORIES

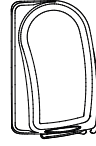
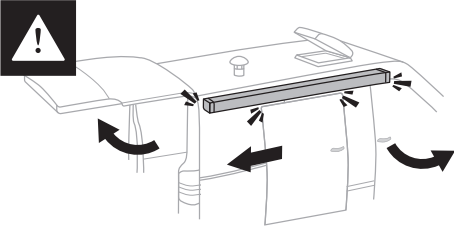
26

Zubehör / accessoires / accessoires / accessori / accesorios / tillbehör / tarvikkeet / tilbehør / tilbehør / akcesoria

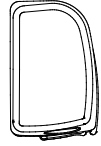
USER

1 WARNINGS & INFO

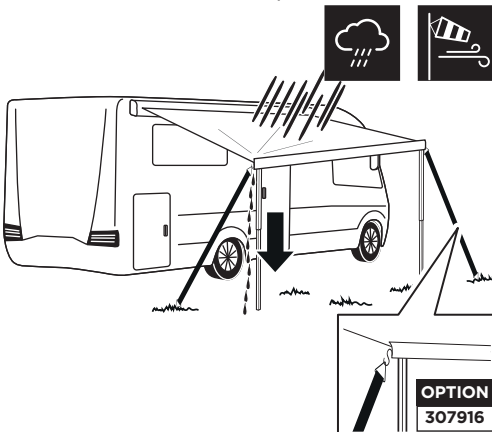
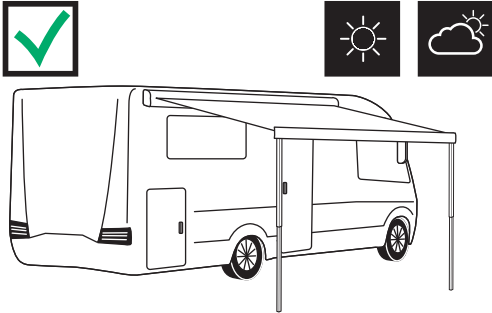
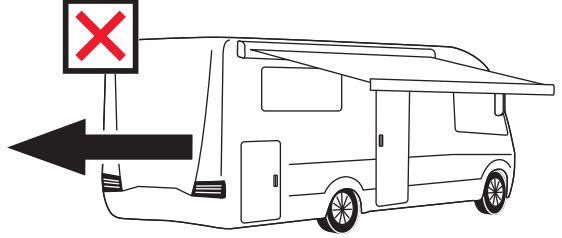
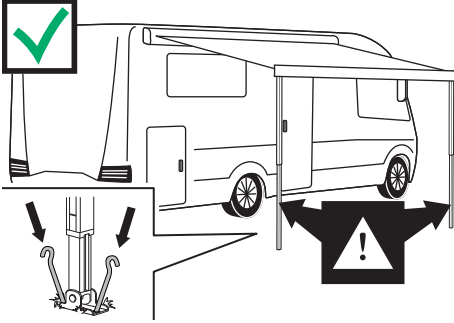




2,6 m
3,0 m



3,5 m
4,0 m
4,5 m

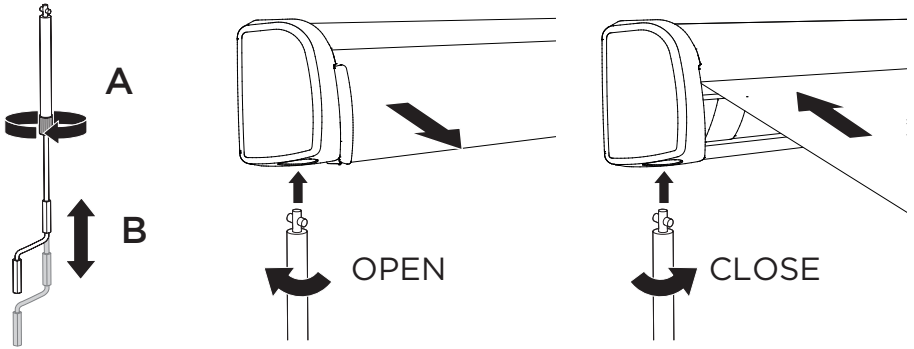


**CLOSE
THE AWNING**

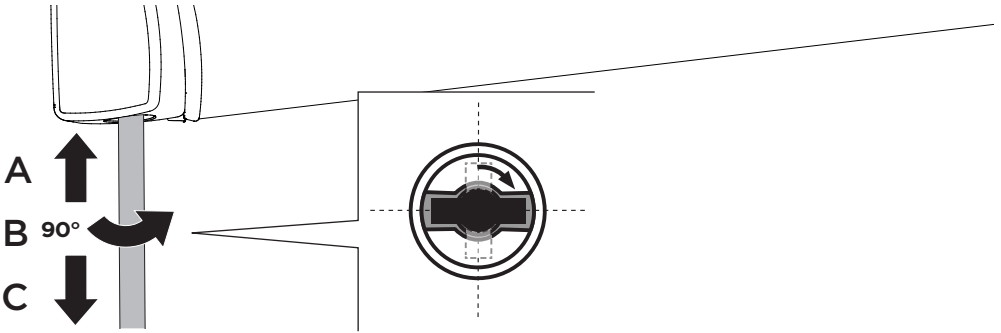


2 OPEN

i

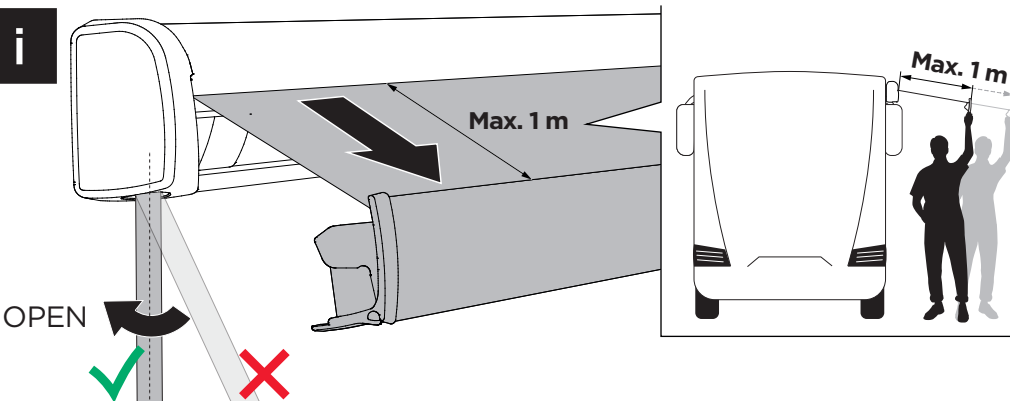


1



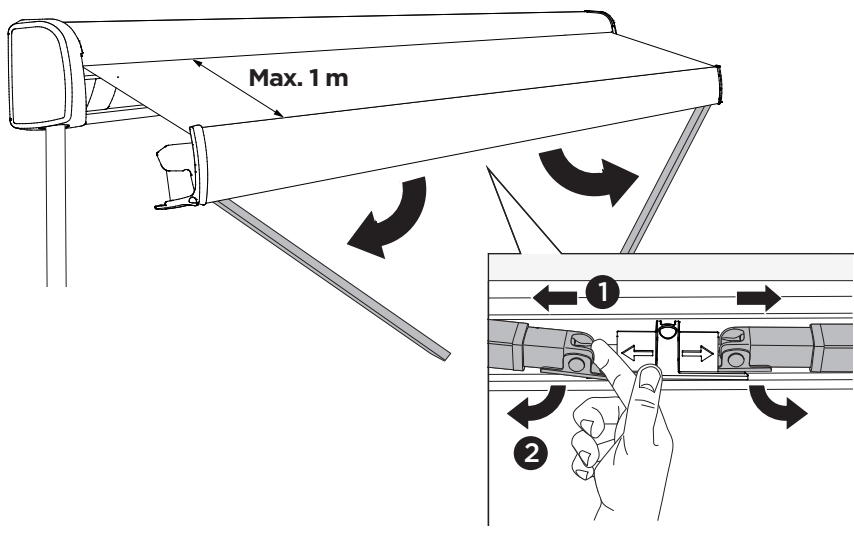
2

i

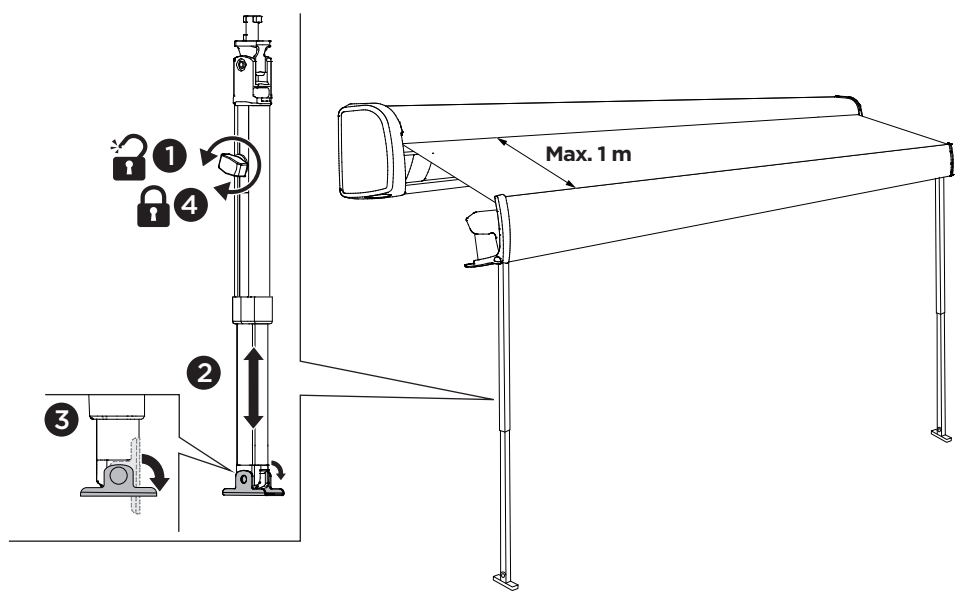


3

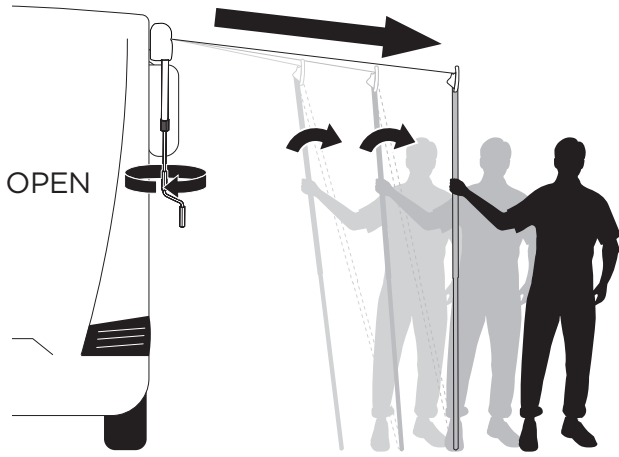
A



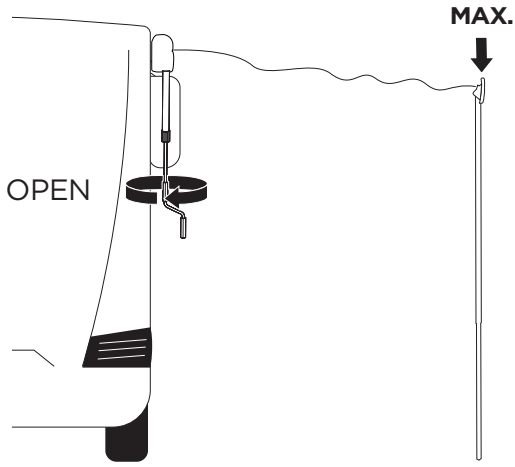
B



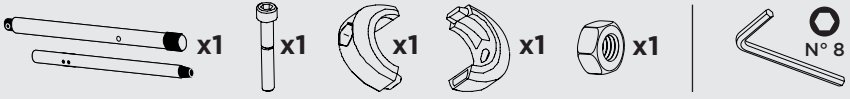
C



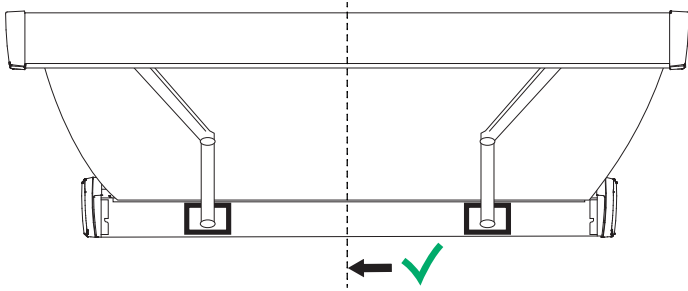
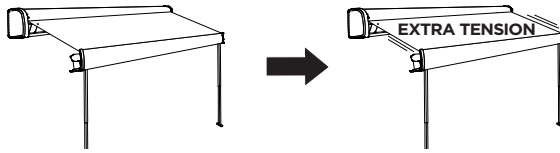
D



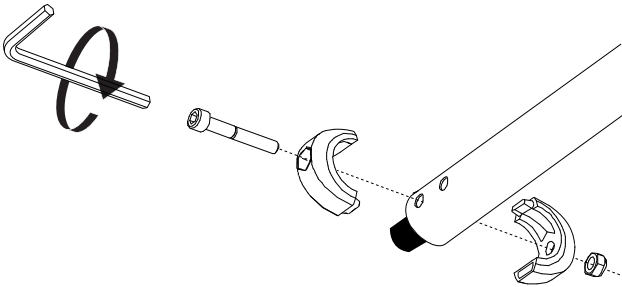
4



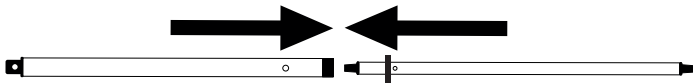
| TENSION RAFTER G2 307307 / 307309 | 2,6M 307307 | 3,0M 307309 | 3,5M 307309 | 4,0M 307309 | 4,5M 307309 |
|--------------------------------------|----------------|----------------|----------------|----------------|----------------|
| | OPTION | OPTION | OPTION | ✓ | ✓ |

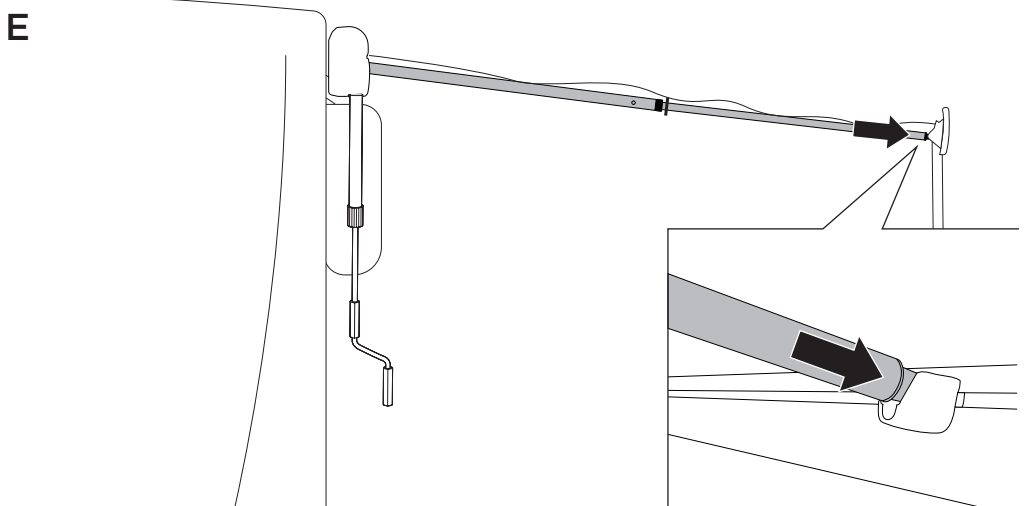
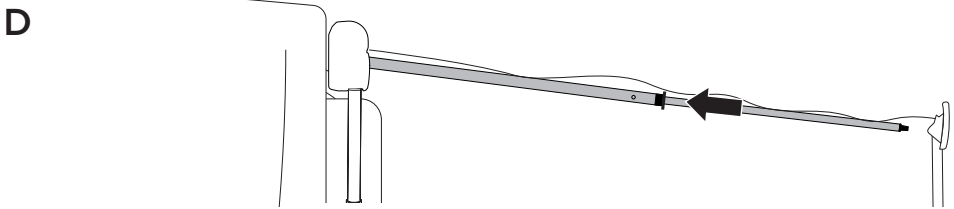
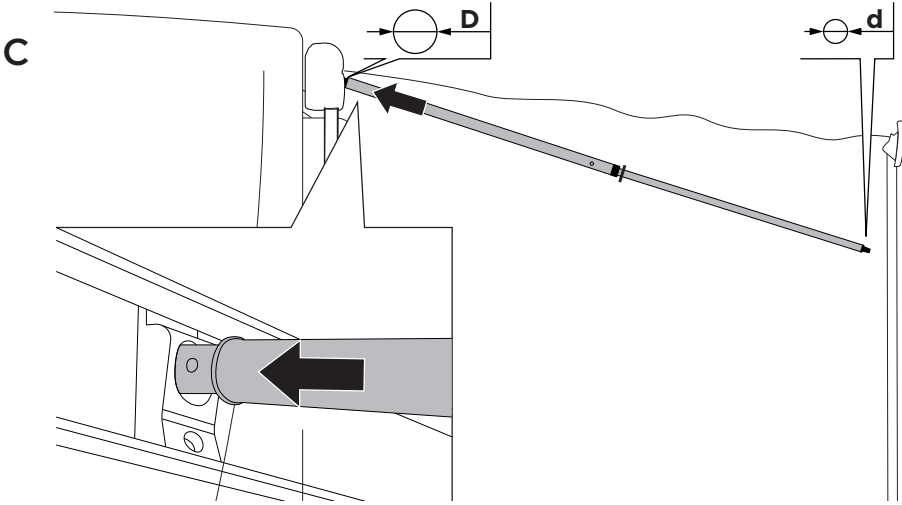


A

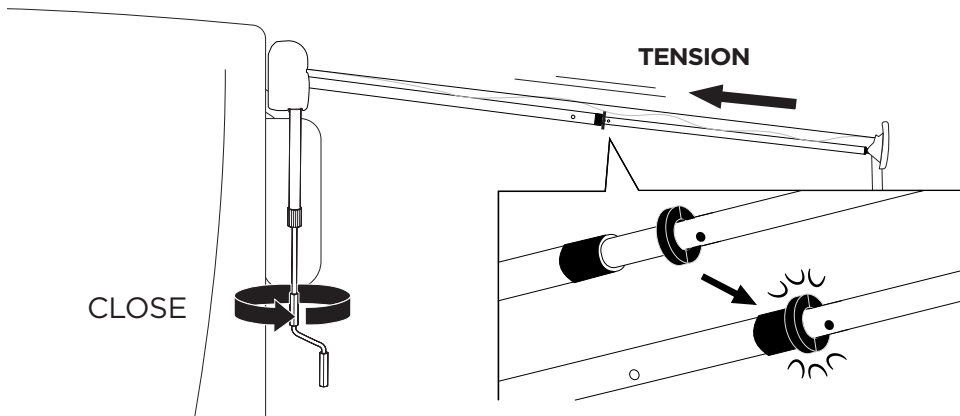


B

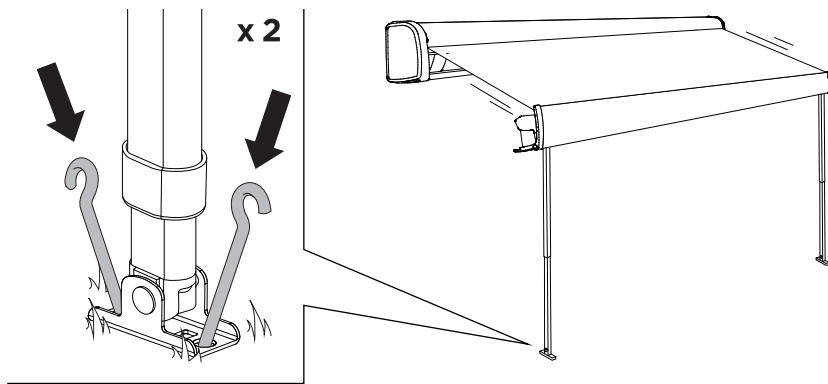




5

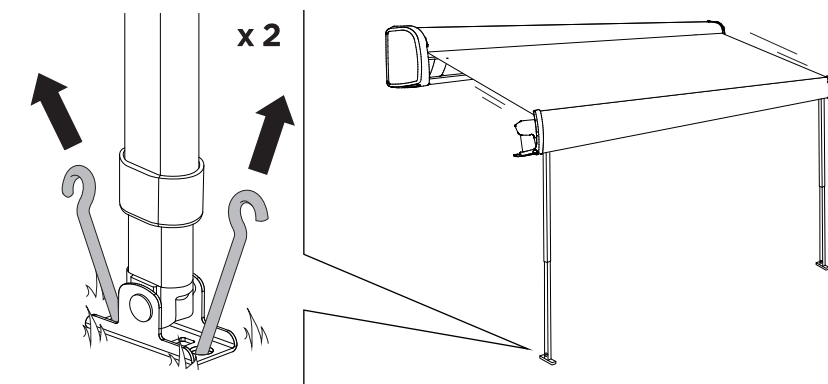


6

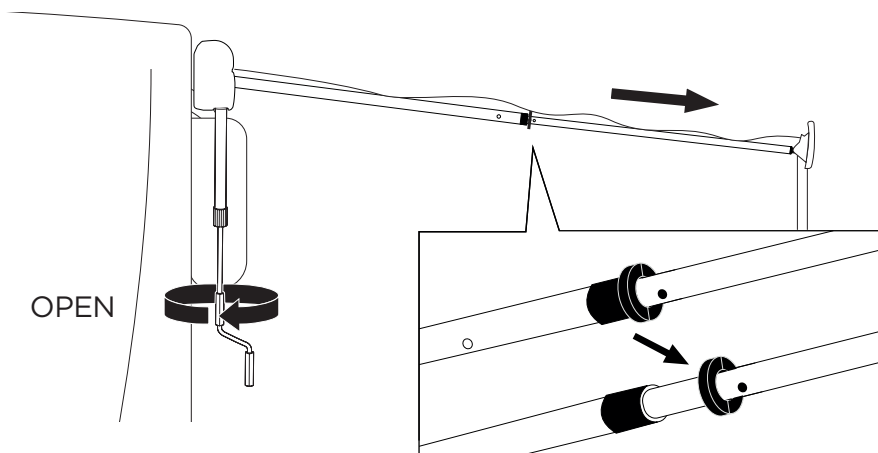


3 CLOSE

1



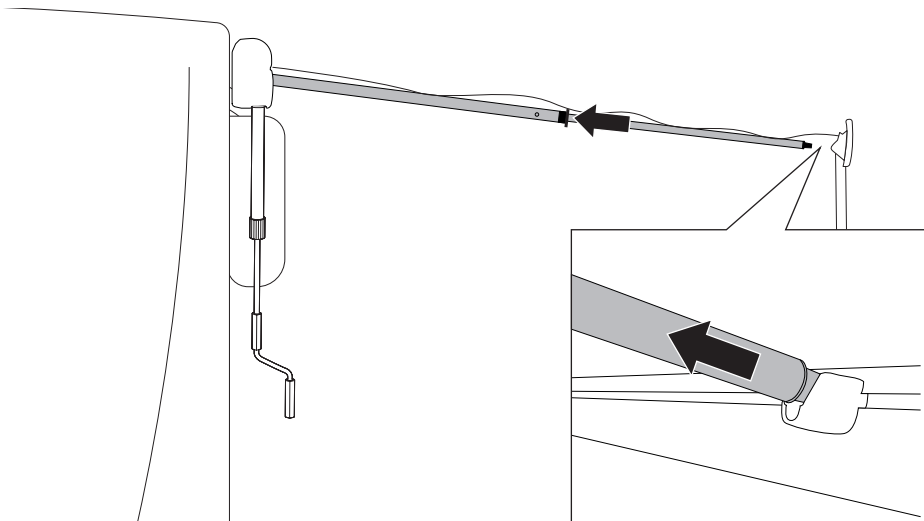
2



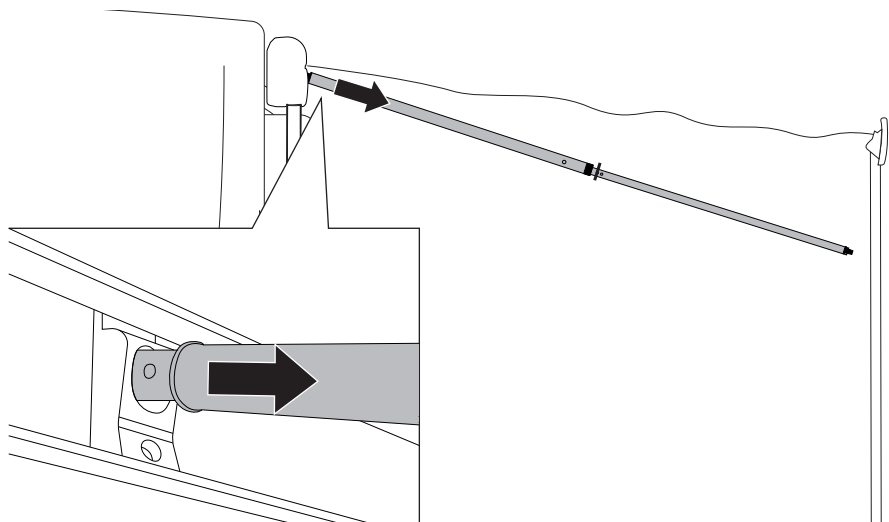
3

| TENSION RAFTER G2 307307 / 307309 | 2,6M 307307 | 3,0M 307309 | 3,5M 307309 | 4,0M 307309 | 4,5M 307309 |
|---|----------------|----------------|----------------|----------------|----------------|
|  | OPTION | OPTION | OPTION | ✓ | ✓ |

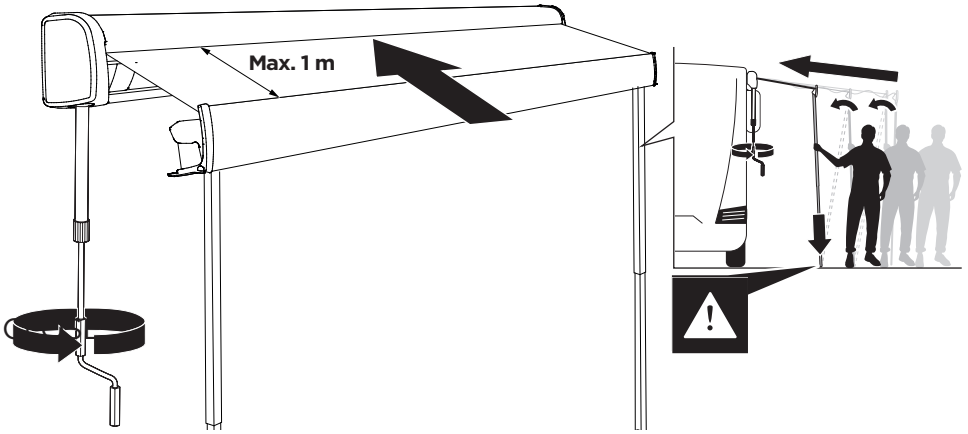
A



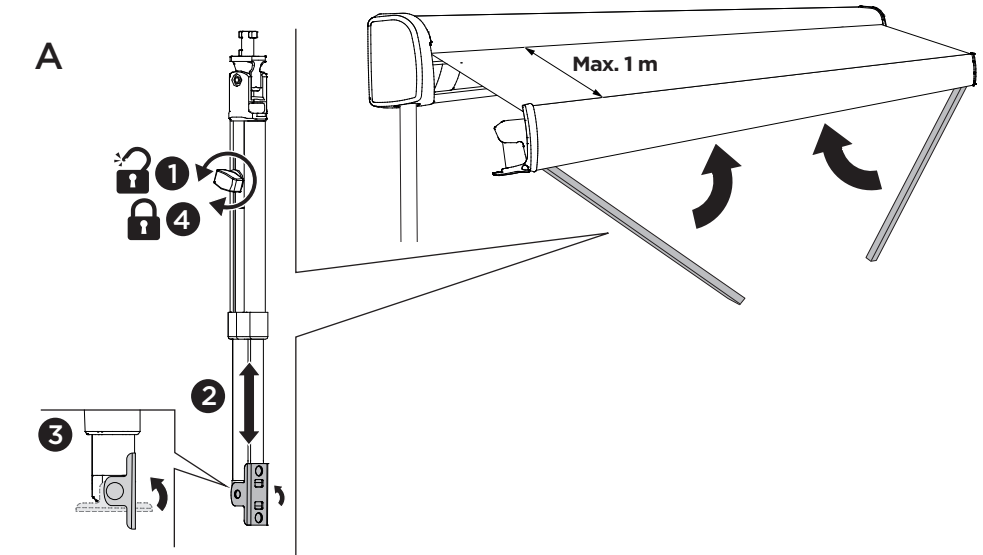
B

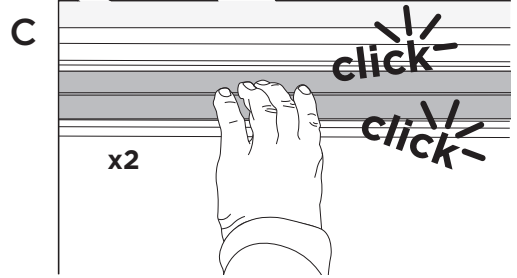
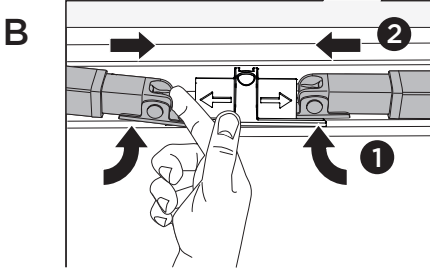
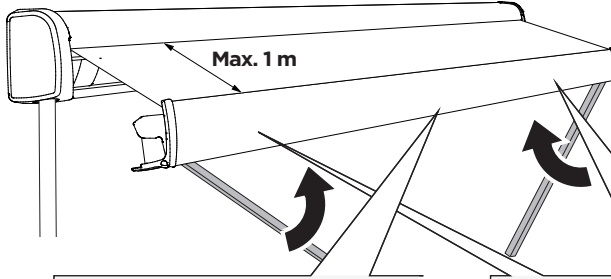


4

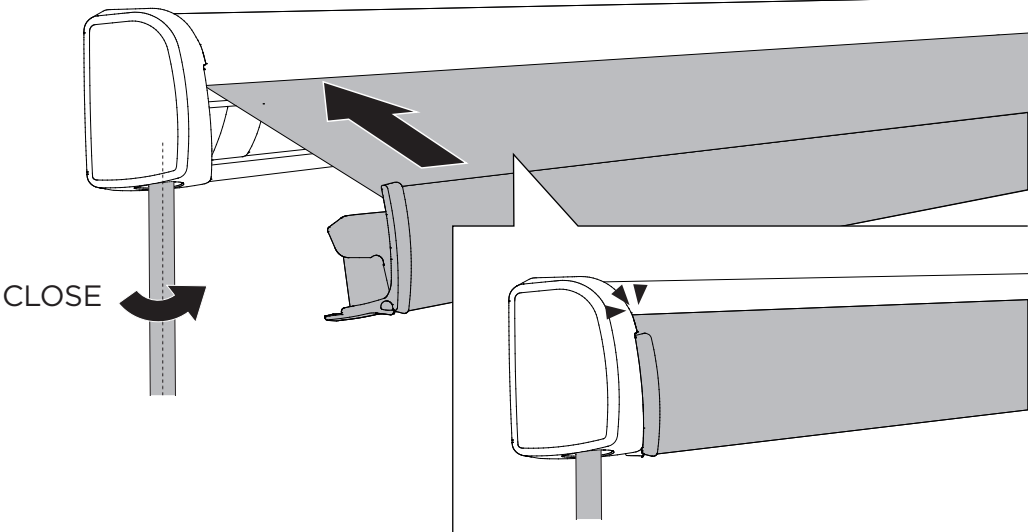


5





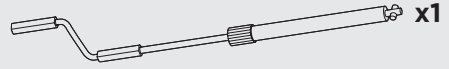
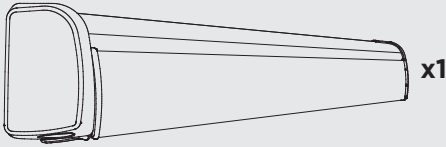
6







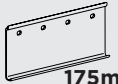

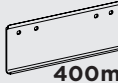

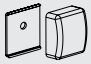
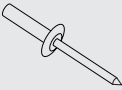
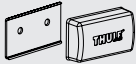
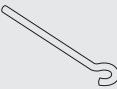

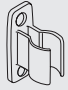

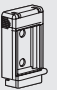






INSTALLATION

4 CONTENT

AWNING

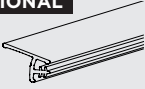


|  | 2,6m | 3,0m | 3,5m | 4,0m | 4,5m |  | 2,6m | 3,0m | 3,5m | 4,0m | 4,5m |
|--|------|------|------|------|------|---|------|------|------|------|------|
|  40mm | x1 | x1 | x1 | x2 | |  4,2 x 16 mm DIN 7504N TX20 | x5 | x5 | x5 | x6 | x5 |
|  80mm | x2 | x2 | | | x1 |  M6 DIN 934 | x7 | x7 | x7 | x8 | x10 |
|  175mm | | | x2 | x2 | |  M6 DIN 6798 | x7 | x7 | x7 | x8 | x10 |
|  400mm | | | | | x2 |  M5 DIN 125 | x4 | x4 | x4 | x4 | x4 |
|  | x3 | x3 | x3 | x4 | x4 |  | x4 | x4 | x4 | x4 | x4 |
|  | x2 | x2 | x2 | x2 | x3 |  | x4 | x4 | x4 | x4 | x4 |
|  M6 x 55 mm DIN 965 - TX30 | x2 | x2 | x2 | x2 | x2 |  | x2 | x2 | x2 | x2 | x2 |
|  M6 x 55 mm DIN 603 | x5 | x5 | x5 | x6 | x8 |  | x2 | x2 | x2 | x2 | x2 |
|  4,2 x 25 mm DIN 7981 - TX20 | x4 | x4 | x4 | x4 | x4 |  | | | | x1 | x1 |
|  4,2 x 25 mm DIN 7982 - TX20 | x4 | x4 | x4 | x4 | x4 |  | | | | x1 | x1 |

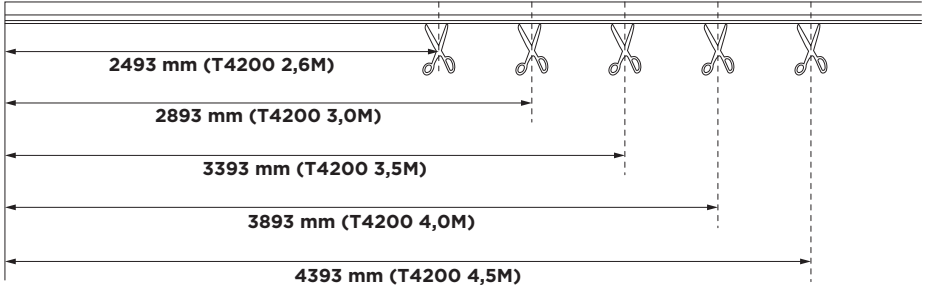
6 GUTTER INSTALLATION

1

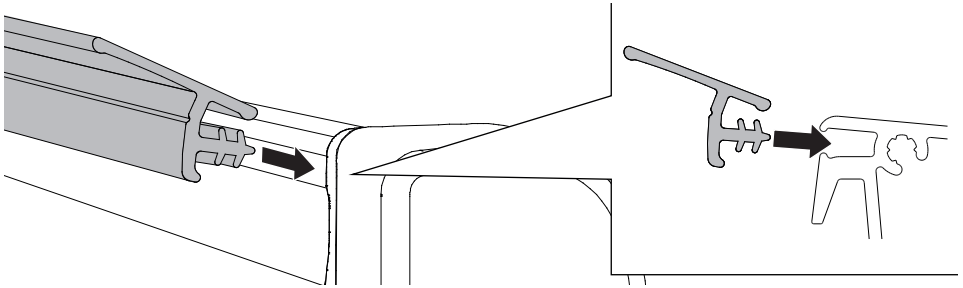
OPTIONAL



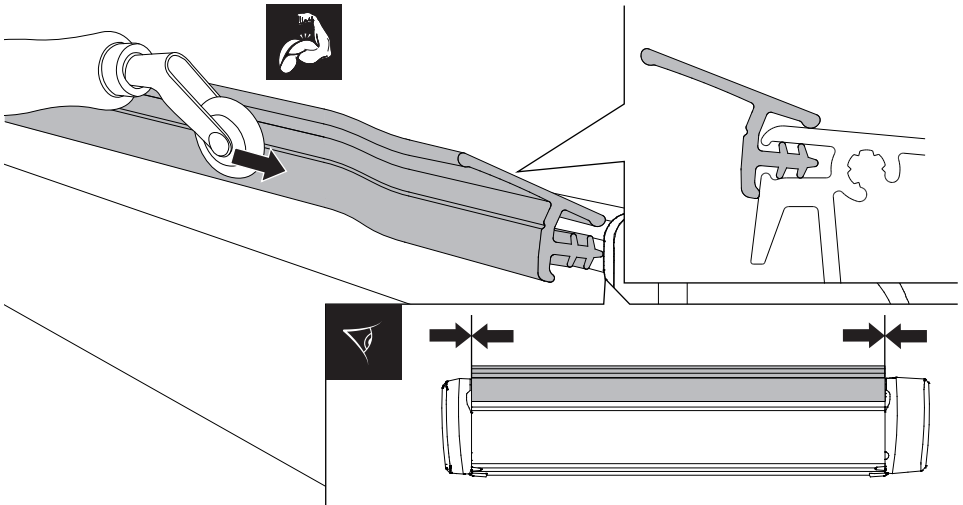
A



B



C



7 INSTALLATION

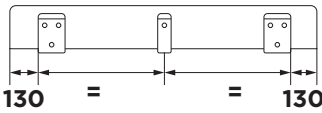
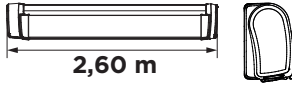
1



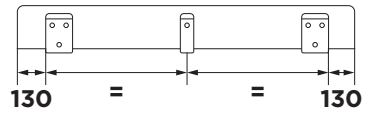
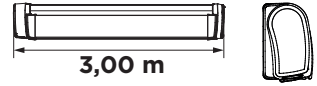
DEGREASER

i

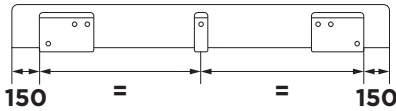
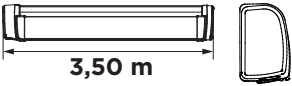
FIX X or Y



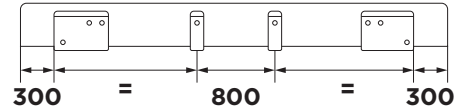
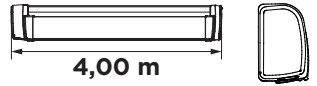
FIX X or Y



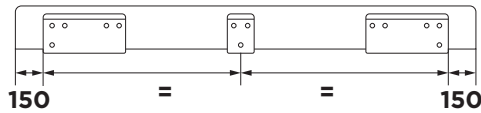
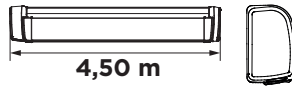
FIX Y or Z



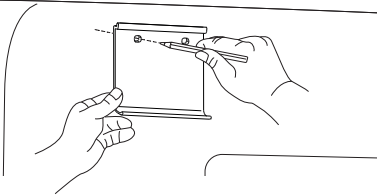
FIX Y or Z



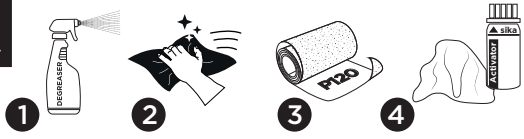
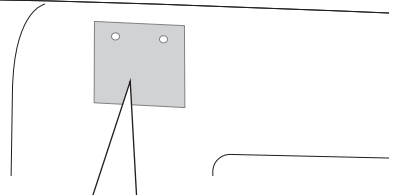
FIX Y or Z



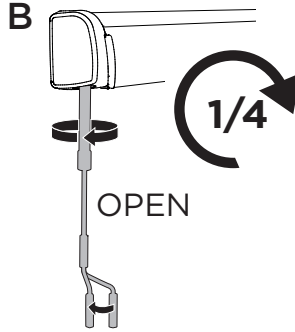
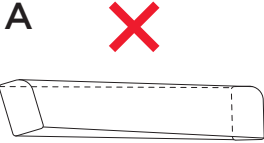
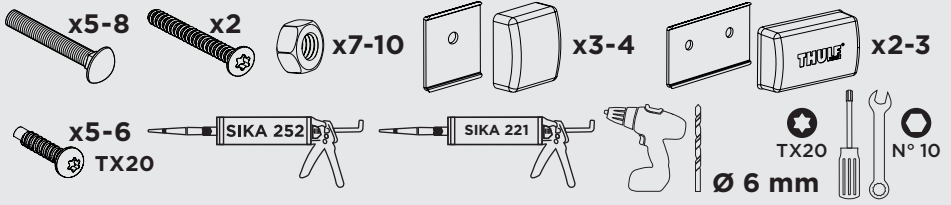
A



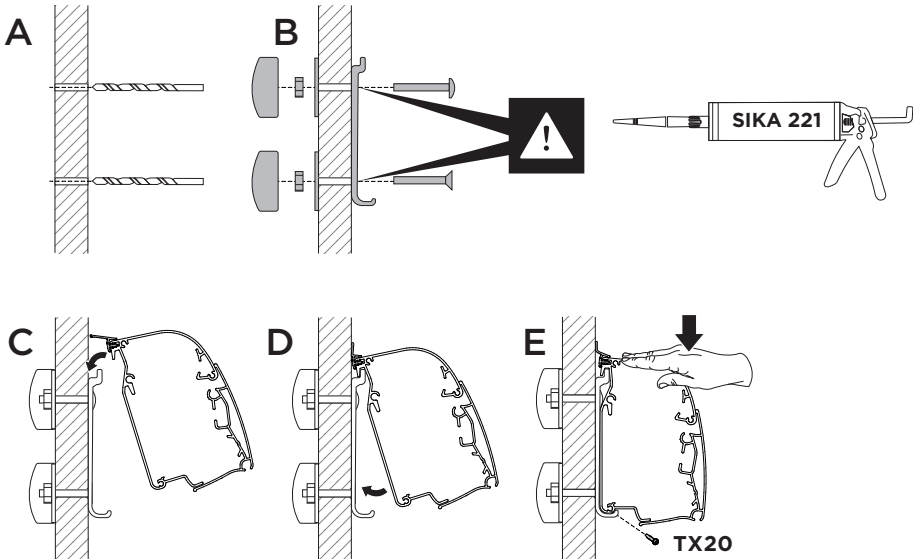
B



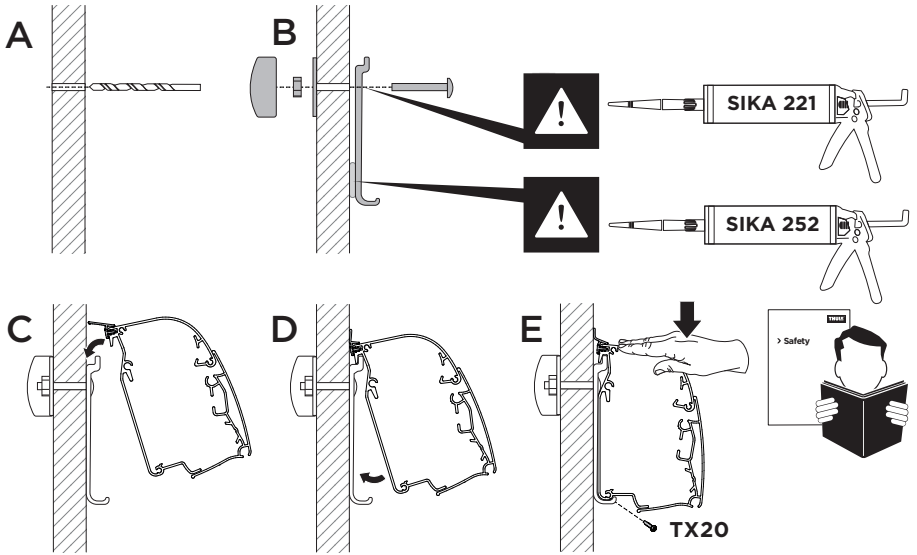
2



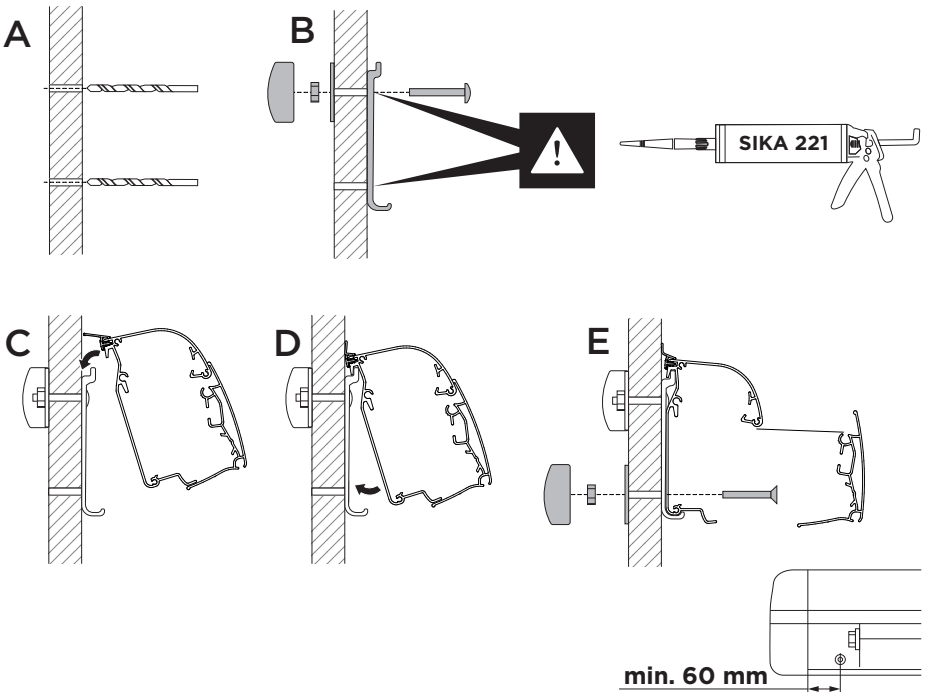
FIX X



FIX Y

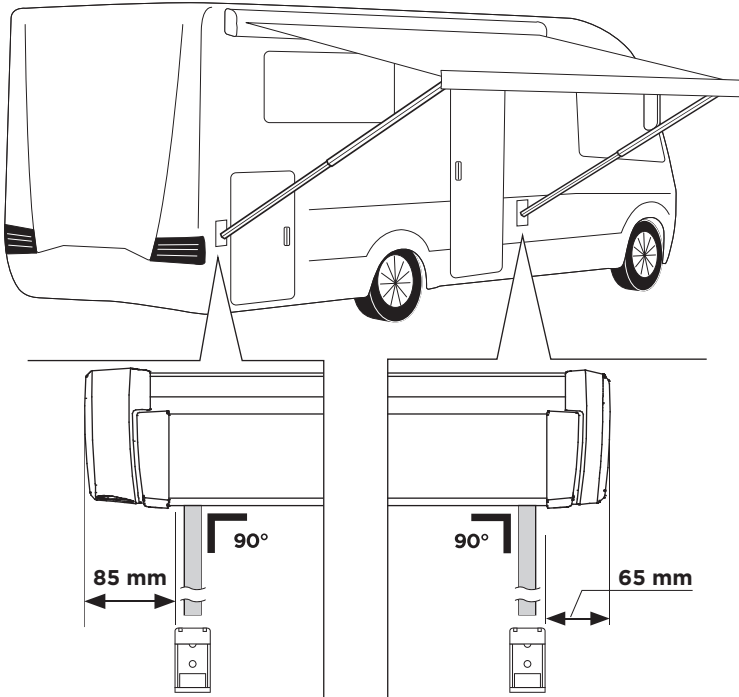


FIX Z



8 FOOT SUPPORT INSTALLATION

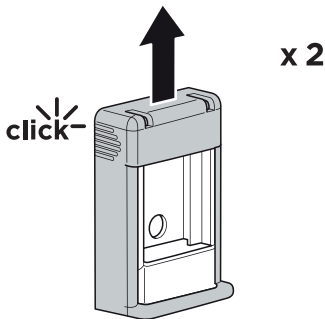
i



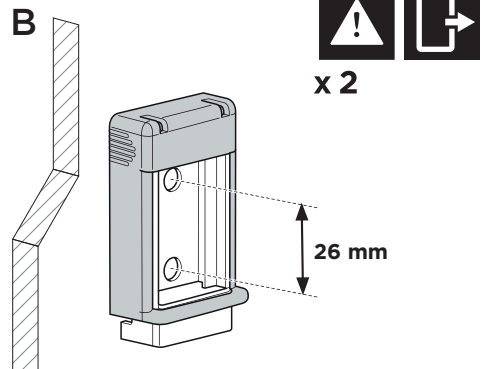
1



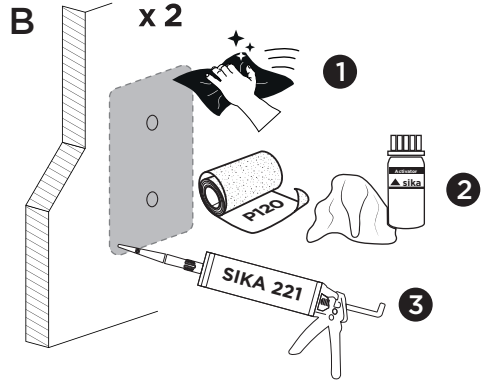
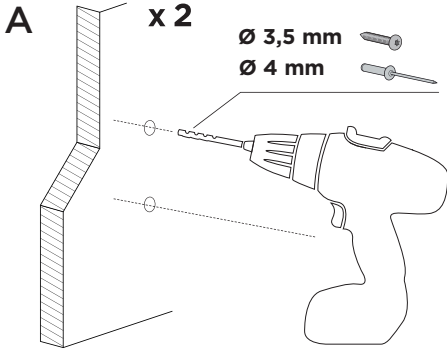
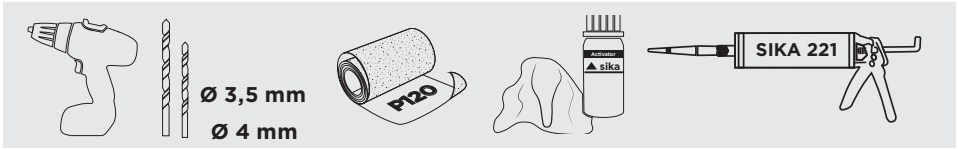
A



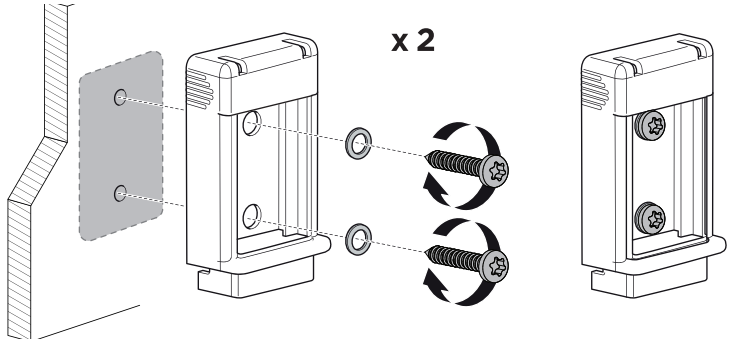
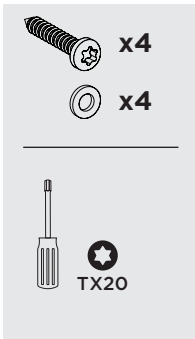
B



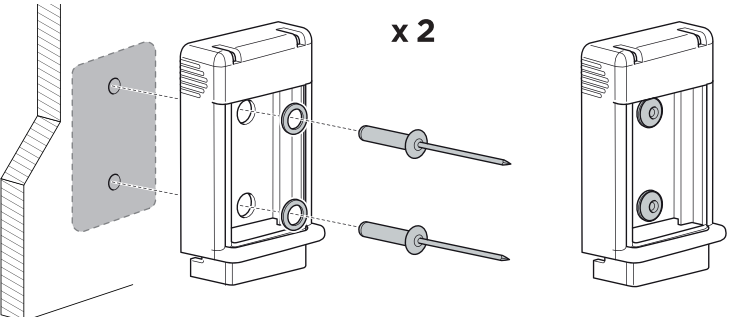
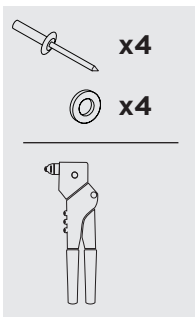
2



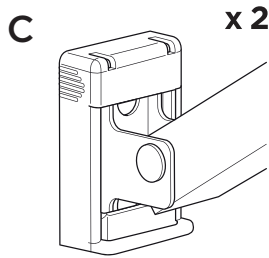
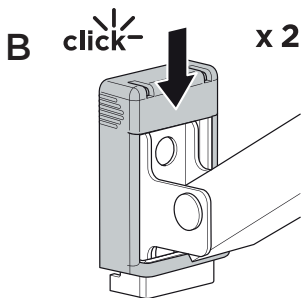
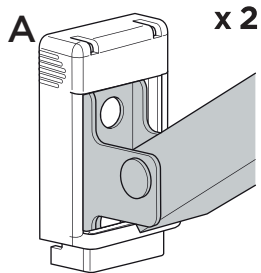
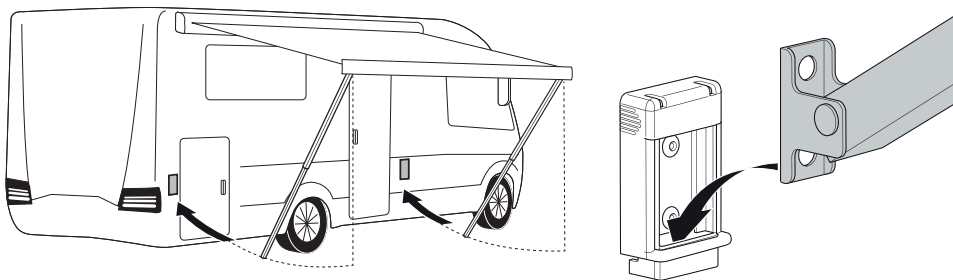
3



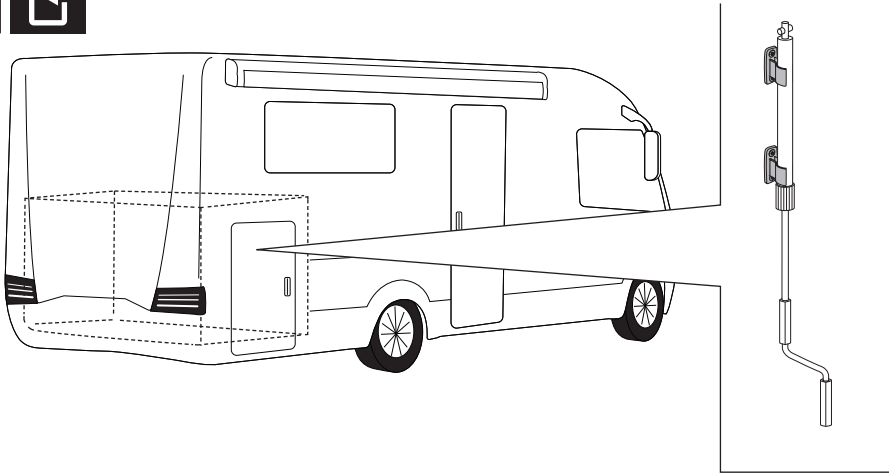
OR



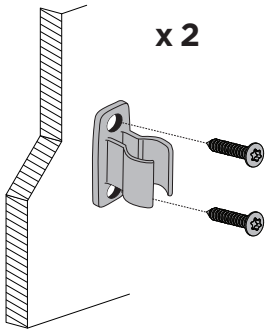
4



9 HAND CRANK SUPPORT INSTALLATION



1

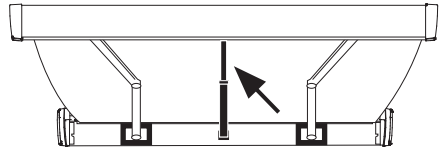


10 ACCESSORIES

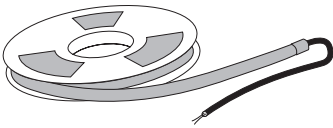
Thule Hold Down Side Strap Kit (307916)



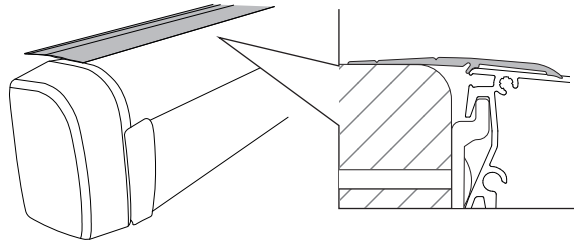
Thule Tension Rafter G2 (307307 / 307309)



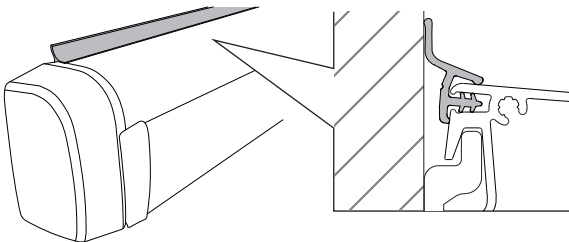
Thule LED Strip (307135 - 307137)



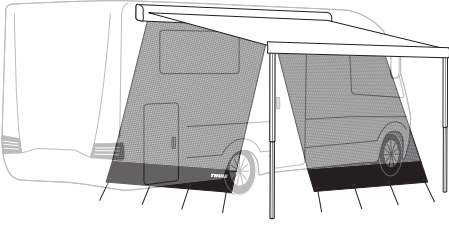
Thule Sealing Rubber (306891 - 306892)



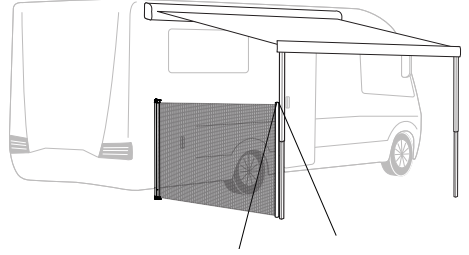
Thule Sealing Rubber (302690 - 302693)



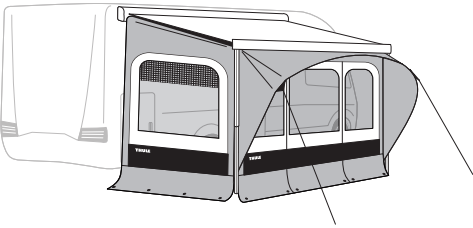
Thule Sun Blocker G2



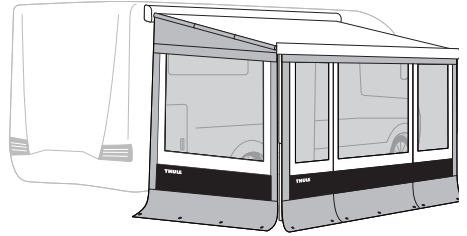
Thule Windscreen



Thule QuickFit



Thule Residence G3



Thule Rain Blocker G2

