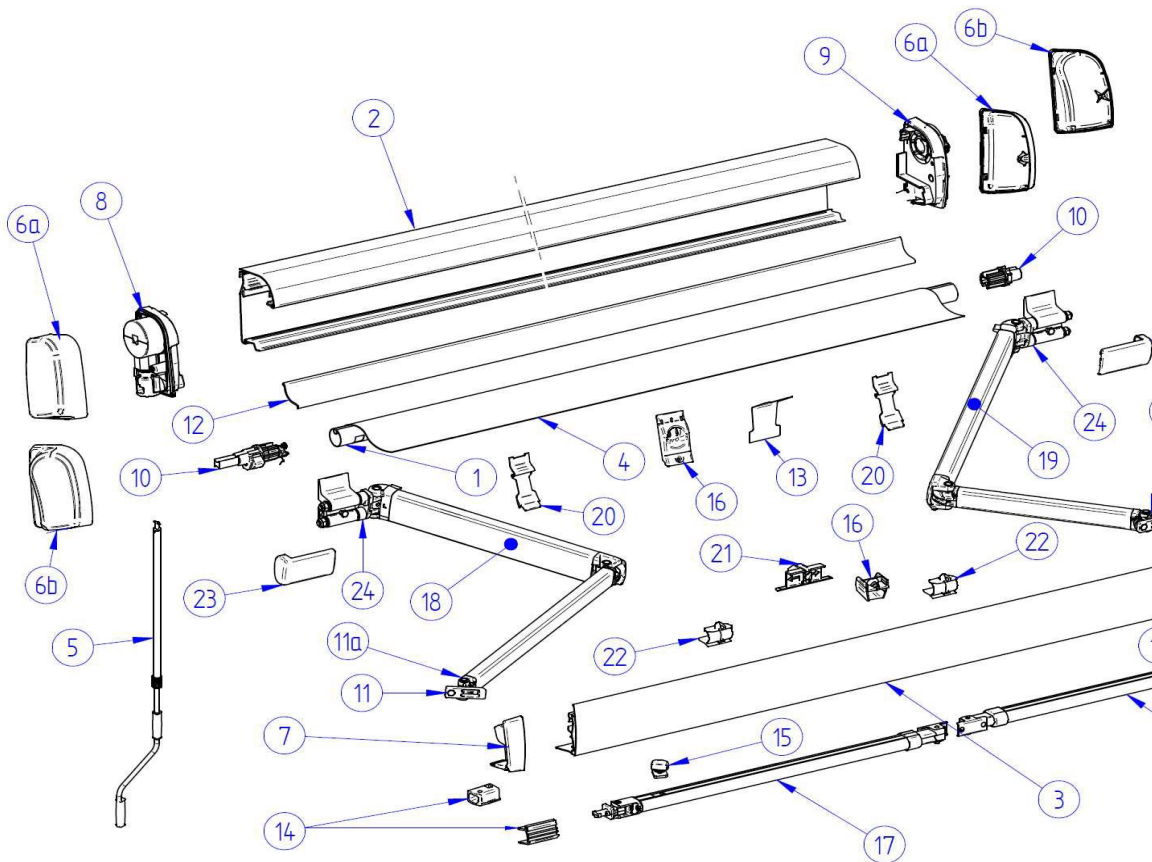


2015 SPARE PARTS LIST

4200



THULE 4200

| | ART.NR. | DESCRIPTION |
|---|------------|-------------------------------------|
| 1 | 1500602658 | ROLLER TUBE D=30X0.8MM / 4200-2,60M |
| | 1500602186 | ROLLER TUBE D=30X0.8MM / 4200-3.00M |
| | 1500602187 | ROLLER TUBE D=30X0.8MM / 4200-3.50M |
| | 1500602188 | ROLLER TUBE D=30X0.8MM / 4200-4.00M |
| | 1500602189 | ROLLER TUBE D=30X0.8MM / 4200-4.50M |
| 2 | 1500603580 | MAINHOUSING 4200 2M60 WHI |
| | 1500603581 | MAINHOUSING 4200 3M00 WHI |
| | 1500603582 | MAINHOUSING 4200 3M50 WHI |
| | 1500603583 | MAINHOUSING 4200 4M00 WHI |
| | 1500603584 | MAINHOUSING 4200 4M50 WHI |
| | 1500603585 | MAINHOUSING 4200 2M60 ANO |
| | 1500603586 | MAINHOUSING 4200 3M00 ANO |
| | 1500603587 | MAINHOUSING 4200 3M50 ANO |
| | 1500603588 | MAINHOUSING 4200 4M00 ANO |
| | 1500603589 | MAINHOUSING 4200 4M50 ANO |
| | 1500603590 | MAINHOUSING 4200 2M60 ANT |
| | 1500603591 | MAINHOUSING 4200 3M00 ANT |
| | 1500603592 | MAINHOUSING 4200 3M50 ANT |
| | 1500603593 | MAINHOUSING 4200 4M00 ANT |
| | 1500603594 | MAINHOUSING 4200 4M50 ANT |
| 3 | 1500602661 | LEADRAIL 4200/4900 2M60 WHI |
| | 1500602194 | LEADRAIL 4200/4900 3M00 WHI |

| | | |
|-----|------------|--|
| | 1500602195 | LEADRAIL 4200/4900 3M50 WHI |
| | 1500602196 | LEADRAIL 4200/4900 4M00 WHI |
| | 1500602197 | LEADRAIL 4200/4900 4M50 WHI |
| | 1500602662 | LEADRAIL 4200/4900 2M60 ANO |
| | 1500602248 | LEADRAIL 4200/4900 3M00 ANO |
| | 1500602249 | LEADRAIL 4200/4900 3M50 ANO |
| | 1500602250 | LEADRAIL 4200/4900 4M00 ANO |
| | 1500602251 | LEADRAIL 4200/4900 4M50 ANO |
| | 1500602950 | LEADRAIL 4200/4900 2M60 ANT |
| | 1500602951 | LEADRAIL 4200/4900 3M00 ANT |
| | 1500603607 | LEADRAIL 4200 3M50 ANT |
| | 1500603608 | LEADRAIL 4200 4M00 ANT |
| | 1500603609 | LEADRAIL 4200 4M50 ANT |
| 4 | 1500602663 | FABRIC 2M60 4200 31 |
| | 1500602202 | FABRIC 3M00 4200 31 |
| | 1500602204 | FABRIC 3M50 4200 31 |
| | 1500602206 | FABRIC 4M00 4200 31 |
| | 1500602208 | FABRIC 4M50 4200 31 |
| 5 | 1500602210 | HAND CRANK SMALL G2 |
| 6A | 1500603610 | LH + RH ENDCAP MAINH 4200 WHI STANDARD |
| | 1500603611 | LH + RH ENDCAP MAINH 4200 ANO STANDARD |
| | 1500603612 | LH + RH ENDCAP MAINH 4200 ANT STANDARD |
| 6B | 1500603613 | LH + RH ENDCAP MAINH 4200 WHI AUTOMOTIVE |
| | 1500603614 | LH + RH ENDCAP MAINH 4200 ANO AUTOMOTIVE |
| | 1500603615 | LH + RH ENDCAP MAINH 4200 ANT AUTOMOTIVE |
| 7 | 1500603616 | LH + RH ENDCAP LEADRAIL 4200 WHI |
| | 1500603617 | LH -r RH ENDCAP LEADRAIL 4200 ANO |
| | 1500603618 | LH + RH ENDCAP LEADRAIL 4200 ANT |
| 8 | 1500603619 | LH ENDPLATE ASSY 4200 WHI |
| | 1500603620 | LH ENDPLATE ASSY 4200 ANO |
| | 1500603621 | LH ENDPLATE ASSY 4200 ANT |
| 9 | 1500603622 | RH ENDPLATE ASSY 4200 WHI |
| | 1500603623 | RH ENDPLATE ASSY 4200 ANO |
| | 1500603624 | RH ENDPLATE ASSY 4200 ANT |
| 10 | 1500602219 | LH -r RH ENDCAP ROLLERTUBE 4200 / 4900 |
| 11 | 1500602374 | LH+RH CONN LEAD RAIL 4200 / 4900 |
| 11A | 1500602753 | LH-rRH STOP SPRING ARM 4200 / 4900 |
| 12 | 1500602665 | SUPPORT ROLLER TUBE 4200 2M60 |
| | 1500602284 | SUPPORT ROLLER TUBE 4200 3M00 |
| | 1500602285 | SUPPORT ROLLER TUBE 4200 3M50 |
| | 1500602221 | SUPPORT ROLLER TUBE 4200 4M00 |
| | 1500602222 | SUPPORT ROLLER TUBE 4200 4M50 |
| 13 | 1500602223 | SPRING SUPPORT ROLLER TUBE 4200 / 4900 |
| 14 | 1500602224 | CONNECTION SUPPORT ARM 4200 / 4900 |
| 15 | 1500603625 | KNOB SUPPORT ARM OVAL (2PCS) |
| 16 | 1500602226 | CONNECTION PCS TENSION RAFTER 4900 |
| 17 | 1500603627 | SUPPORT LEG OVAL 2M60 |
| | 1500603628 | SUPPORT LEG OVAL 3M00 |
| | 1500603629 | SUPPORT LEG OVAL 3M50-4M50 |
| 18 | 1500602667 | L.H. SPRING ARM 4200 ANO 2M60 |

| | | |
|----|------------|-----------------------------------|
| | 1500602229 | L.H. SPRING ARM 4200 ANO 3,0/3,5M |
| | 1500602230 | L.H. SPRING ARM 4200 ANO 4,0/4,5M |
| 19 | 1500602668 | R.H. SPRING ARM 4200 ANO 2M60 |
| | 1500602231 | R.H. SPRING ARM 4200 ANO 3,0/3,5M |
| | 1500602232 | R.H. SPRING ARM 4200 ANO 4,0/4,5M |
| 20 | 1500603630 | SPRING ARM HOLDERS 4200 |
| 21 | 1500602233 | CENTRAL CLAMP SUPPORT ARM OVAL |
| 22 | 1500602234 | CLIP SUPPORT ARM OVAL |
| 23 | 1500602235 | LH -r RH COVER SPRING ARM BR. |
| 24 | 1500602811 | ROTATION PLATE 4200 / 4900 / 6200 |
| | | |

| |
|---------|
| RVZ6992 |
| RVZ6993 |
| |
| RVZ6994 |
| RVZ6995 |
| |
| |
| RVZ6996 |
| |
| |
| |