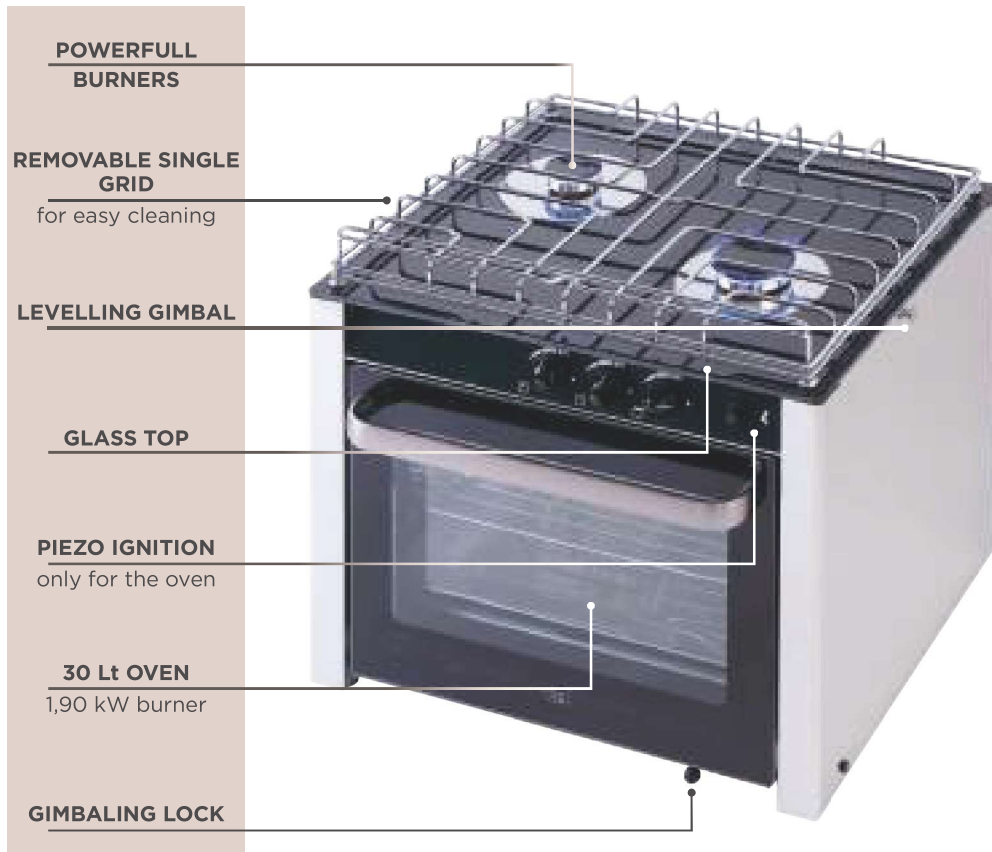




## GIMBALLING AND BUILT-IN COOKERS

### CU2000



**POWERFULL BURNERS**

**REMOVABLE SINGLE GRID**

for easy cleaning

**LEVELLING GIMBAL**

**GLASS TOP**

**PIEZO IGNITION**  
only for the oven

**30 Lt OVEN**  
1,90 kW burner

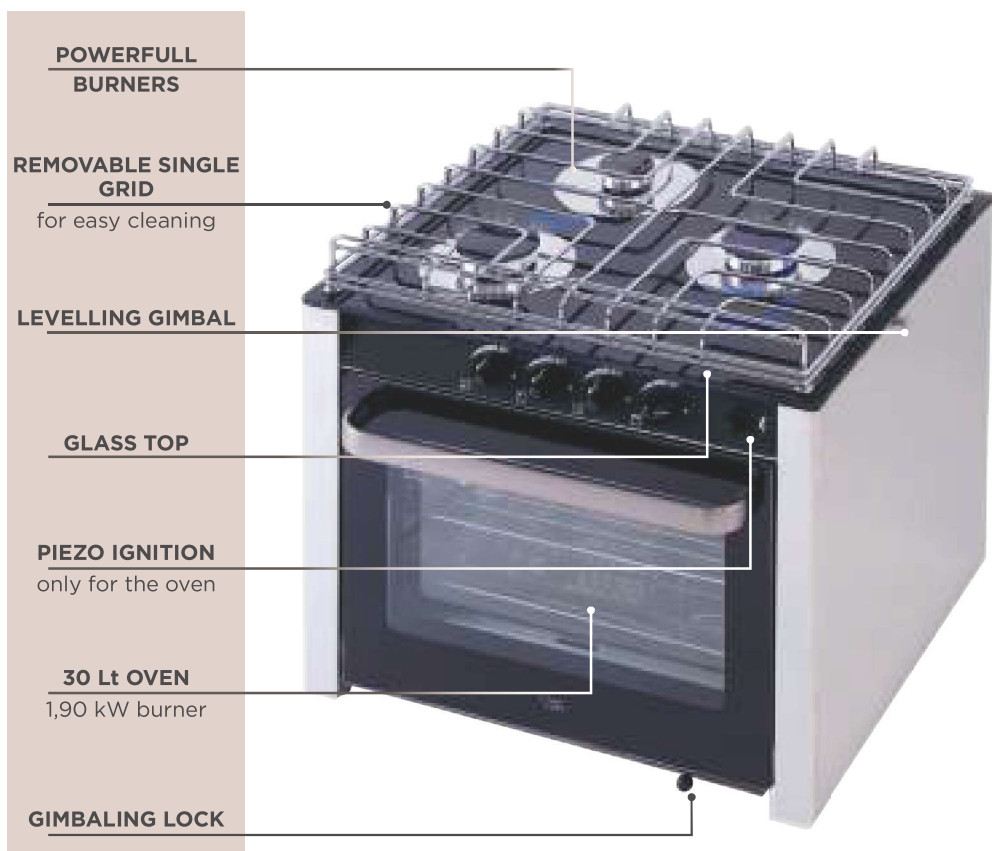
**GIMBALLING LOCK**

#### High Quality marine cooker, 2 burners with gimbal.

Completely built in Stainless Steel. Design, quality and performant glass top surface; flame failure safety device on all burners, piezo ignition to turn on the flame in the gas oven burner. Oven door with double thermal glass and see through window! Oven capacity over 30 liters with an efficient 1.90 kW burners. The cooker is easy to install and includes Gimbal mounting kit. We offer pan holder kit and a stainless-steel heat shield as optional. Built for the best sailing boats ever!

Width	500 mm
Depth	410 mm
Height	458 mm
Weight	22 kg
Burners	
- oven (1,90 kW)	x1
- A (1,00 kW)	x1
- SR (1,75 kW)	x1

### CU3000



**POWERFULL BURNERS**

**REMOVABLE SINGLE GRID**

for easy cleaning

**LEVELLING GIMBAL**

**GLASS TOP**

**PIEZO IGNITION**  
only for the oven

**30 Lt OVEN**  
1,90 kW burner

**GIMBALLING LOCK**

#### High Quality marine cooker, 3 burners with gimbal.

Completely built in Stainless Steel. Design, quality and performant glass top surface; flame failure safety device on all burners, piezo ignition to turn on the flame in the gas oven burner. Oven door with double thermal glass and see through window! Oven capacity over 30 liters with an efficient 1.90 kW burners. The cooker is easy to install and includes Gimbal mounting kit. We offer pan holder kit and a stainless-steel heat shield as optional. Built for the best sailing boats ever!

Width	500 mm
Depth	410 mm
Height	458 mm
Weight	23 kg
Burners	
- oven (1,90 kW)	x1
- A (1,00 kW)	x1
- SR (1,75 kW)	x2



# GIMBALLING AND BUILT-IN COOKERS

COOKERS

## TECHNICAL INFORMATION CU2000 - CU3000

